



Bathroom
Technical Guide

FIRED EARTH

September 2016

DESIGN AND PLANNING	4
WASTE PIPES:	4
WATER SYSTEMS:	4
WATER STORAGE/SUPPLY:	4
LOAD BEARING:	4
POSITIONING:	4
STORAGE:	4
ORDERING:	4
ROUGH PARTS:	5
DELIVERY:	5
FITTING CONSIDERATIONS	6
BUILDING WORK:	6
LAYOUT:	6
BRASSWARE AND WATER PRESSURE:	6
BATHS	7
CONSIDERATIONS:	7
FREESTANDING BATHS:	8
BUILT-IN BATHS:	8
TOILETS	9
CONSIDERATIONS:	11
BOWLS AND BASINS	12
TAPS AND MIXERS	13
SHOWER VALVES	14
TYPES OF SHOWER VALVES:	14
CHOOSING EXPOSED OR CONCEALED SHOWER VALVE:	14
Exposed shower:	14
Concealed shower:	14
MANUAL OR THERMOSTATIC, MONO OR DUAL CONTROL?	14
THERMOSTATIC SHOWER CONTROL:	15
MONO SHOWER CONTROL:	15
DUAL CONTROL:	15
SHOWER DIVERTER:	15
CONTROLLED OUTLETS:	15
WATER PRESSURES:	16
BALANCED PRESSURES:	16
CONNECTIONS TO SHOWERS:	16
MAINS FED SHOWERS:	16
GRAVITY FED SHOWERS:	16
INSTALLATION:	16
SHOWER ARMS AND ROSES:	17
SHOWER TRAYS	18
WET ROOMS	19
SHOWER ENCLOSURES / PANELS	20
HEATED TOWEL RAILS	21
HEAT SOURCES:	21
FIXING KITS:	21
HEAT OUTPUTS:	21

Bathroom Technical Guide

The purpose of this booklet is to provide guidance on the selection of Fired Earth bathroom products. The installation of a new bathroom is a big decision and great care should be taken at the design, planning and installation stages.

For help and assistance with the design of your bathroom; please speak to your local store about our home design services available in our UK and Ireland stores.

Important Notes:

The advice given in this guide, including suitability, appearance, application etc. is all given on the basis that the products are correctly installed by a qualified plumber. All installation instructions supplied with the products should be followed. In the unlikely event that the installation instructions have been omitted from the product, please contact our Technical department on 01295 814271 so we can ensure you have the correct information before installation commences.

We strongly advise you to arrange delivery at least 10 working days in advance of any installation work to allow sufficient time to check your order and to allow any natural materials to acclimatise; or to rectify any incorrect, delayed, damaged or postponed deliveries (for whatever reason). This will allow sufficient time to postpone your installation if necessary; we cannot accept responsibility for lost working time in any eventuality.

Once received, please check all goods within 10 working days. We reserve the right to refuse claims for damaged or missing goods made after this time unless a longer period of time has been previously agreed in writing.

Design and Planning

There are some basic rules to consider when designing a bathroom; here are some helpful pointers to assist you with the layout.

Waste pipes:

All waste from the bath, toilet, basin and shower will need to connect into the soil stack. This is a large diameter pipe that is usually located on an external wall. As there is no easy solution to moving the soil pipe (the location will have been planned when the house was built and have been sited in the most appropriate position at that time to meet the needs of all rooms); if you wish to change the layout of your bathroom we recommend that you get advice from a qualified plumber. An experienced plumber will be able to advise you whether the soil pipe can be re-sited or the pipe-work re-routed either concealed by boxing or beneath the floor.

Water systems:

It is important to identify what type of water system you have in your home. There are a number of different water systems and it is important you choose a range of products that are compatible and most suited to your water system and water pressure. Your plumber should be able to assist in identifying the type of system you have and the water pressure available to you. You may, depending on the water system, be able to improve the water pressure by the installation of a pump; again your plumber should be able to advise you. A selection of pumps are available to purchase through Fired Earth. Please speak to a member of the sales team for more information.

Water storage/supply:

Consider carefully whether you have sufficient water capacity for the products you are interested in. For instance a large rose combined with good water pressure or a pumped system will drain your water reserves quickly and you may need to consider increasing the size of your water tank to compensate.

Load bearing:

A bath filled with water weighs a great deal. It is imperative that the floor is capable of supporting the weight of the bath filled with water. If you plan to purchase a heavier bath than previously installed, please consult a qualified professional prior to installation to ensure the floor can take the additional load. For further information, please refer to the Baths section of this booklet.

Positioning:

Thought should be given to the positioning of the items in the room; especially in small bathrooms where thought needs to be given to leg room when using the toilet or bidet, the swing of the door into the bathroom as well as the door on showers and cupboards etc.

Storage:

A beautiful bathroom can look cluttered if no arrangements have been made for storing toiletries and cleaning products. Often some wasted space can be utilised with careful planning. Concealed cupboards can be installed in otherwise un-used areas like under the bath or below the basin.

Ordering:

Allow sufficient time for the ordering and delivery of your chosen products. Some handmade and/or special order items have a lead time and you may well need to purchase well in advance to ensure you can have the products you have chosen. Many products are available from stock, so if your time frame is short, let the store know so they can guide you on availability.

Rough Parts:

Other than the exposed chrome pipe work (riser) for showers which can be ordered through Fired Earth; it is common practice for the plumber to supply all other rough parts and pipe work but it is worth checking to ensure your fitter has included these parts within his estimate for works.

We recommend servicing or isolation valves are installed on all pipework to enable easy future servicing and maintenance of all taps, inlet valves and shower valves. It is good practice to have your bathroom brassware serviced regularly to ensure any build-up of limescale is minimized and all perishable seals are replaced when worn.

Delivery:

Ensure that adequate access is available for the products to be delivered. If you are considering installing a bespoke marble shower tray or cast iron bath you should be aware that these items are very heavy and require several strong people to carry them. This can be difficult if the item is required on the second floor of a property with a narrow winding staircase.

We would advise that you inspect your products upon delivery as Fired Earth can not be held responsible after the 10 day inspection period – as detailed in our Terms and Conditions.

Fitting Considerations

Fitting a bathroom can be complicated and may require up to four different trades: builders, plumbers, electricians and tilers. Therefore, careful preparation is required to fit a bathroom quickly and efficiently.

The steps you need to consider are:

Building Work:

To prevent damage to bathroom furniture and fittings, building work should be completed prior to fitting bathroom items.

Layout:

Confirm that the items in the bathroom will fit and that they have reasonable access to the services (i.e. hot and cold water supply and soil and vent pipes).

Brassware and Water Pressure:

Check the suitability of the water pressure within the property to ensure that it is sufficient for the products you have selected. Your local water authority/plumber can provide details.

Plan the work carefully. Will pipe work within floor voids and duct work need to be installed before the floor or wall is tiled? Will any standpipes need to be plumbed in before the floor is tiled? Will access be required to connect the bath waste?

All installation work should be carried out in line with the relevant water regulations.

Flush through all pipe work before the final connection to the brassware is made. This will prevent debris from within the pipe work entering in to the internal workings of the tap or valve and causing damage. This is particularly prudent if you are planning to install a water softener as part of the bathroom refit.

Baths

In general baths can be described as either 'freestanding' or 'built in'. The baths in our range are made from one of the following materials:

Cian
Copper
Correro
Enamelled cast iron
Enamelled steel
Reinforced acrylic
Resin and ground stone.

Considerations:

Cast iron baths are very traditional, very heavy, have good sound insulation and retain heat well. Used in the manufacture of both freestanding and built in baths, the internal enamel finish may look slightly dimpled and there may be small black flecks in the enamel. The outsides of the baths are not enamelled but are available in differing finishes depending on the bath chosen.

Exterior cast iron finishes include,

- Raw exterior – With only a basic rust inhibiting finish applied the natural rough exterior of the cast iron shows through.
- Primed exterior – The exterior of the bath is filled and primed, ready for painting.
- Painted exterior – The exterior of the bath is filled, primed and painted to a factory finish.
- Polished and lacquered – The exterior of the bath is ground and polished to a shine. A lacquer is then applied, leaving a natural cast iron finish. Please note there will be a variable amount of pitting, creating a uniquely beautiful bath. If a completely smooth exterior is required then please specify a painted exterior.

Reinforced acrylic baths are lightweight but strong. Reinforced acrylic is used in the manufacture of built in baths, the exterior of which are hidden by the panelling in of the bath.

Resin and ground stone baths offer the traditional look of cast iron without the weight. Resin and ground stone will provide a hard, durable finish, with the external surface being suitable for painting.

Copper baths are lightweight and very durable. Constructed with a copper core, the interior of the bath can be either white enamel or polished nickel, while the exterior is available in a finish of either patina or brushed copper.

Enamelled steel baths are lighter than cast iron, very strong and hard wearing. Enamelled steel is used in the manufacture of built in baths, the exterior of which are hidden by the panelling in of the bath.

Cian baths are manufactured from a blend of acrylic polyester resin and mineral fillers. They offer a traditional look with a hard wearing surface.

Please refer to our main brochure and website for more information on the specific finish of your chosen bath.

Freestanding baths:

Bath taps or mixers on freestanding baths can either be deck mounted (with chrome pipe shrouds to cover the supply pipes), freestanding on standpipes or wall mounted. This will be determined by the layout of your bathroom, the style of bath and the range of tap you have selected

The freestanding baths within the Fired Earth range are (depending on the bath chosen) configured in one of the following ways:

- Bath supported on legs with room below for the trap and waste pipe to be installed either above or below the floor.
- Bath sits directly on the floor, with the base of the bath having a double skin; allowing room within the double skin for the trap to connect to the waste pipe under the floor.
- Bath sits directly on the floor, with the trap and waste pipe in the floor. It may be necessary to gain access from below to install the waste and trap with this type of bath or alternatively the bath can be raised off of the floor on a plinth.

Waste fittings are available to suit each style of bath, please speak to a member of the showroom staff or refer to the suitability chart at the end of this guide.

Built-in baths:

These baths are designed to be 'built-in' within a panel, meaning that the pipe work and waste fittings below the bath are not seen.

Bath taps or mixers can either be deck mounted, freestanding on standpipes, wall mounted or a waste filler can be used. This will be determined by the layout of your bathroom, the style of bath and the range of taps you have selected.

The built-in baths within the Fired Earth range are (depending on the bath chosen) configured in one of the following ways:

- Bath supported on adjustable legs with room below for the trap and waste pipe to be installed either above or below the floor.
- Bath supported on a cradle with adjustable legs with room below for the trap and waste pipe to be installed either above or below the floor.
- Bath sits directly on the floor with room below for the trap and waste pipe to be installed either above or below the floor.

The built-in baths are supplied without any panels thus allowing the bath, once installed, to be panelled in and tiled to suit your design.

Bath wastes:

Waste fittings are available to suit each style of bath as detailed below. Please speak to a member of the showroom staff or refer to the suitability chart at the end of this guide.

BWASTECP2	Bath waste and overflow for built in baths, includes plug and chain.
CLIWASTEFILLCP	Bath waste 'clicker' plug, overflow and bath filler for built in baths.
CLIBATHWASCP	Bath waste 'clicker' plug and overflow for built in baths.
CLIEXPBATHWASCP	Bath waste, 'clicker' plug and overflow for freestanding baths, includes a shallow waste trap. Supplied in chrome finish.
EXPWASTECP2	Bath waste and overflow for freestanding baths, includes plug, chain and shallow trap. Supplied in chrome finish.

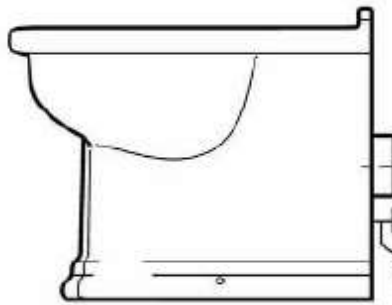
Toilets

Toilet systems within the Fired Earth range are supplied configured in one of the following ways:

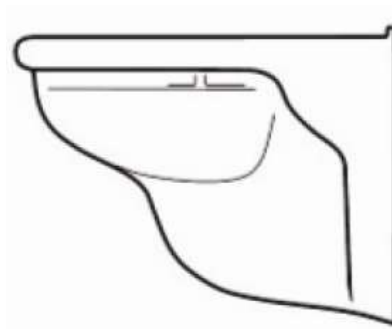
Close coupled: the cistern sits on the back of the toilet pan.



Back to wall: the toilet pan sits on the floor and flush up to a wall or boxing and the cistern is hidden within the wall or boxing behind the pan.



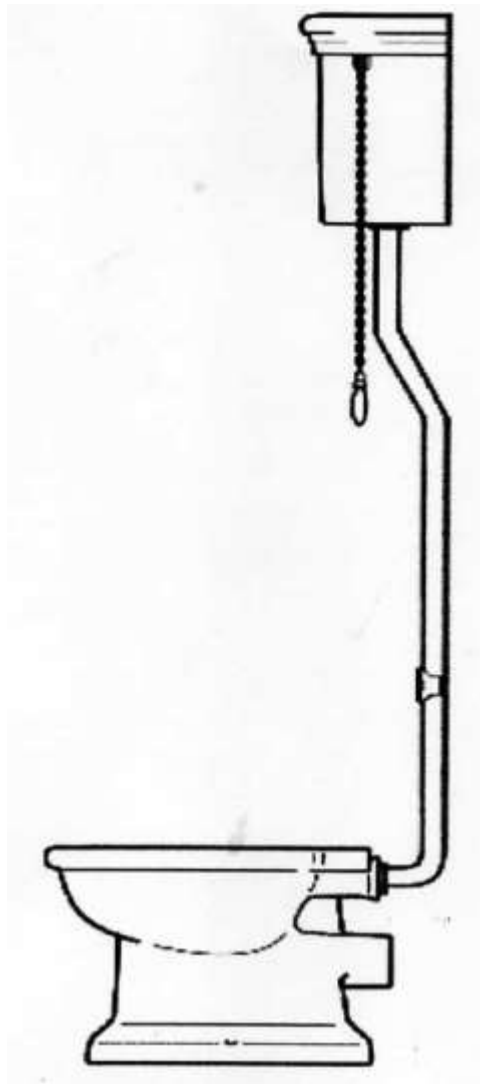
Wall hung: the toilet pan is bolted to a metal frame within a wall or boxing, with the cistern being hidden within the framework behind the pan.



Low level: the cistern is connected to the toilet pan by a short flush pipe.



High level: the cistern is installed at head height or above and is connected to the toilet pan by a long flush pipe.



Considerations:

The majority toilet pans within the Fired Earth range are configured as a 'P' trap horizontal outlet.

The position of the water inlet connection to the cistern will vary depending on the chosen range.

If installing a high level cistern ensure there is adequate headroom, with at least 200mm above the cistern to enable installation and maintenance.

Please note, when installing a wall hung or back to wall pan, remember that the frame and/or cistern will need to be housed within the wall or boxing.

Each cistern is supplied complete with inlet valve and flush syphon / flush valve.

Care should be taken during installation to ensure a watertight seal between components and the ceramic cistern.

Particular attention should be made to the setting of the water fill level within the cistern during the commissioning procedure.

Failure to commission the cistern correctly will result in the cistern flush being inadequate or the cistern overflowing.

Pipe work must be thoroughly flushed through prior to connection to the inlet valve on the cistern.

Bowls and Basins

The basins and bowls within the Fired Earth range are made from natural stone, ceramic, copper or stone resin. A suitable waste fitting and trap is available for each basin and bowl.

When selecting taps, mixers and fillers consideration should be given to the distance the outlet of the spout protrudes into the basin or bowl and the height the outlet will be positioned above the basin or bowl when installed.

Please refer to the suitability chart at the end of this guide for the number of tap holes in each basin and the brassware that is deemed compatible with each style of basin.

Some basins within the range are supplied without tap holes, however, some of these basins have pre-marked tap holes which can be knocked out by the installer if deck mounted taps are to be installed.

Basins shown as requiring a pedestal or stand are not suitable to be installed without these for support.

Important Note: Natural stone bowls and basins may require to be resealed periodically with MN Stain Stop.

Basin wastes and traps:

Waste fittings and traps are available to suite various styles of basin as detailed below. Please speak to a member of the showroom staff or refer to the suitability chart at the end of this guide.

Waste fittings:

CLIBASWASUCP Basin clicker waste for use in basins or bowls with no integral overflow.

CLIBASWASSCP Basin clicker waste for use in basins or bowls with an integral overflow.

UDC3 Basin constant running waste for use in basins or bowls with no integral overflow.

BASINWASTECP2 Basin waste, plug and chain for use in basins with an integral overflow and a hole for securing the chain.

Waste traps:

BTRAPCP2 Bottle trap for use with basins or bowls where trap is on show.

BTRAPSQCP2 Bottle trap for use with basins or bowls where trap is on show.

UTRAP4 Bottle trap for use with basins or bowls where trap is on show.

Taps and Mixers

The majority of Fired Earth's taps and mixers are manufactured from solid brass and are electro-plated with nickel and chrome for a hard wearing and practical finish. Other finishes are also available. Most use ceramic discs which are more efficient and easier to use than conventional washers.

When selecting taps, mixers and fillers consideration should be given to the distance the outlet of the spout protrudes into the bath or basin and the height the outlet will be positioned above the bath or basin when installed. Not all brassware will be suitable for all sanitary ware within the range.

It should be noted that when installing a mixer tap the hot and cold supplies to the tap should be of equal and balanced pressures to provide a satisfactory temperature mix, this is especially important when installing a bath and shower mixer incorporating a hand shower. Your plumber should be able to advise you on how best to achieve this.

It is important to ensure that the water supply connected to your chosen tap has a water pressure within the given range for the tap.

Low water pressure will lead to poor water flow from the tap.

Your installer should be able to advise you on the water pressure available within your property.

The operating pressure of each range of tap and its compatibility with the basins, bowls and baths within the Fired Earth range can be found at the end of this guide.

To ensure the brassware installed is kept in good condition, please refer to the care and maintenance information supplied with the product.

Modern taps contain ceramic disk cartridges, pipe work must be thoroughly flushed through prior to final connection to the taps to avoid damage to the internal parts of the tap

Shower Valves

Exposed or concealed, traditional or modern, manual or thermostatic, mono control or dual control, high pressure or low pressure - the Fired Earth range of showers covers most of the options.

Types of Shower Valves:

There are two ways in which a shower valve can be configured; either exposed or concealed. The significant difference between these is the amount of visible pipe work between the shower valve and the shower head.

In an exposed shower the pipe work between the shower valve and the shower head is visible and fitted to the wall in a vertical line.

A concealed shower means that the pipe work is buried into the wall; the only parts of the fitting seen are the control on the front of the shower valve and the joint where the shower head comes out of the wall. Depending on site conditions it may be possible to fit the shower valve some distance from the shower head using 'rough parts' supplied by the installer.

Choosing exposed or concealed shower valve:

The decision on whether to choose an exposed or concealed shower valve will need to take in to account both the finish required, the practicality of the installation and the type of water system within the property.

Consideration should be given to the following points when choosing between an exposed and a concealed shower:

Exposed shower:

- Are you happy to see the extra pipe work on show?
- Is there room within the shower enclosure for the exposed shower valve, shower arm and shower head?

Concealed shower:

- Is the wall an outside wall?
- Is the wall a solid wall or timber partition?
- Is the wall deep enough to accept the shower valve?

In both instances consideration will also need to be given to the type of water system within the property and the likely water pressure and flow rates available to supply the shower valve.

Your installer should be consulted as to the suitability of the chosen shower for your particular installation.

Manual or Thermostatic, Mono or Dual control?

Manual shower control - A manually controlled shower relies on the user controlling the amount of hot and cold water entering the shower valve, where it mixes together to provide water at the required temperature from the shower outlet. This type of shower valve is susceptible to any pressure or temperature fluctuation within the water supplies to the shower, meaning that it is difficult for a steady temperature setting to be maintained.

Thermostatic shower control:

A thermostatically controlled shower incorporates an inbuilt thermostatic cartridge within the shower valve which will respond to pressure or temperature fluctuations within the water supplies to the shower. The result is that the user is provided with a supply of mixed water from the shower head which will maintain the set temperature throughout the time of their shower. The thermostat is factory set to restrict the maximum temperature of the water that can flow through the valve to 43°C; if the water exceeds this temperature the shower valve will cut the water supply to avoid scalding the user. Thermostatically controlled showers are available as either Mono control or Dual control.

Mono shower control:

A sequential mono controlled shower uses one single control lever to both open the flow of water through the shower valve and to control the temperature of the water using a thermostatic cartridge. The flow of water through the valve is pre-set and is therefore either on or off. As the control is opened the water flows and with the movement of the control lever the temperature of the water flowing from the shower outlet increases from cold to tepid to hot. The maximum temperature of water is pre-set in the factory and controlled by the thermostatic cartridge.

Dual control:

A dual controlled shower uses one control to open and close the flow of water through the shower valve, with a second control to adjust the temperature setting of the water.

The two controls can be incorporated in to one cartridge, usually indicated by a central control with the flow control and temperature control handles/levers attached or they can be two separate control handles.

The flow of water through the shower valve is controlled by the on/off valve, with some control over the rate of flow of water from the shower outlet. The temperature of the water flowing from the shower outlet is controlled and maintained by the thermostatic cartridge.

This type of shower valve makes up the vast majority of the shower valves within the Fired Earth range.

Shower diverter:

A shower diverter valve is designed to allow the user to divert the flow of water from one outlet to another. This would typically be to divert the water flow from the main shower head to a hand held shower, body jets or bath filler. It is usually the case that the diverter will only allow water to flow from one outlet at a time.

The diverter may be manufactured as part of the shower valve or it may be an additional item which can be added on to the standard shower valve.

As the title indicates, it is a diverter and not an on/off valve.

Controlled outlets:

The term controlled outlets indicates that the shower valve has more than one outlet from which the water can flow and that each outlet has a separate on/off control. Instead of using a diverter valve to send the flow of water to the one selected outlet, the user can open the valves to allow water to flow from all the attached outlets at once. Provided that the pressure and flow of water is adequate it may be possible for the user to have the main shower head, body jets and hand shower working at the same time.

Water Pressures:

The majority of shower valves within the Fired Earth range are designed to operate with a water pressure of between 1 to 5 bar. The greater the pressure of the water supplied to the shower valve, the greater will be the performance of the shower.

Likewise, the greater the number of outlets in use at one time the higher the water pressure will be required to maintain the performance at each outlet.

For example, a shower valve supplying water to a shower head, body jets and a hand shower which are open at the same time would require a higher pressure of water supply than one which is supplying water to a shower head only.

The type of water system within the property will influence the water pressure available to supply the shower valve. Advice should be sought from the installer as to the water pressure available within the water system.

Balanced pressures:

The installation instructions of many of our products will state that a 'Balanced' water supply is required. This refers to the pressure of the hot and cold supplies feeding that product.

The shower valves within the Fired Earth range will require balanced supplies to the valve; this means that the pressure of the hot water should be the same as the pressure of the cold water. This can be achieved by either having both supplies fed to the shower at mains pressure or both supplies gravity fed at a lower pressure.

Connections to showers:

A shower can be fed by mains pressure, or it can be storage-fed by gravity.

Mains fed showers:

Mains connection should only be used on thermostatic mixing valves. It is not possible to fit a booster pump to this type of system.

Gravity fed showers:

The hot and cold supplies need to be of equal pressure. It is likely that the pressure in this type of installation will need to be boosted with a pump to provide the required pressure and to meet the expected performance of the shower.

Installation:

The installation instructions supplied should be strictly adhered to.

Combination boilers may be unlikely to provide the flow of water required for the 8" or 12" shower heads within the range to function correctly.

Individual isolating valves are recommended to be installed to make the process of service or maintenance of the shower valve easier.

All valves are fully air and water tested with the maximum temperature being set at the factory prior to dispatch.

The recommended supply pressures for the individual showers within the range are shown at the end of this guide.

Pipe work must be thoroughly flushed through prior to installing the shower valve to avoid damage to the internal parts and seals of the shower valve.

Service and Maintenance of shower valves:

The frequency of service and maintenance of your Fired Earth shower valve can be affected by the initial installation and quality of the water supply to the shower.

Fired Earth would recommend that the following should be taken into consideration:

- Ensure that all filters are installed as per the installation instructions or that inline filters are installed in to the supply pipe work.
- All pipe work supplies to the shower should be flushed through before final connection to the shower valve.
- In hard water areas, a water softener will reduce the impact of limescale deposits within the shower valve. This can reduce the frequency of servicing requirements. Fired Earth would suggest that you consult your local installer.
- Manufacturers servicing advice and recommendations should be adhered to.

The servicing of your Fired Earth shower valve should be carried out by a competent plumber and should require no more than a couple of hours to keep your shower valve at its optimum working condition.

Shower Arms and Roses:

Not all roses are supplied with an arm so always check that one is included with your order. Take extra care to ensure the shower arm and rose can be fitted high enough (watch out for low ceilings etc) so that it clears the head of any tall occupants and the shower enclosure door if applicable. As a guide, we would suggest that the shower head is located a minimum of 100mm above head height of the user and slightly above the height of the inward opening door on the Ithaca enclosure. The stated drop of the shower arms is not adjustable.

Large roses consume high volumes of water so ensure that there is a suitable water supply and that the tray (if applicable) and waste will cope with the expected volume of water.

To maintain the operating efficiency of shower heads it is important to prevent limescale build up within the outlet jets.

If the shower head is equipped with easy clean nozzles then rub these with the back of your hand, after using the shower, to dissipate the remaining water and so prevent limescale build up.

On all other shower heads inspect the jets periodically to ensure limescale is not building up. If required, use a small needle or pin to unblock.

Limescale build up within the jets of the shower head will lead to a failure of the shower head this may cause pressure to build up and distort the plate.

All shower heads will drip for a short while after turning off the control valve as the water remaining within the shower head drains away.

Shower Trays

Fired Earth shower trays are made from materials such as Acrylic, Enamelled Steel, Marble, Scene or fireclay ceramic. If making a plinth for a tray, it must be able to take the weight of the tray and the weight of the user without movement or flexing. If the tray does either of these, stone trays in particular may crack. Make sure the trays are exactly level, so any water drains away correctly and does not pool.

Solid marble trays are extremely heavy and must be lifted carefully to avoid damage to the tray and injury to the installer. Natural stone shower trays should be resealed annually with MN Stain Stop, carefully following instructions. Our marble shower trays are made specifically to customer orders from blocks of stone. It is a characteristic of this natural product, that some small degree of veining and filled pitting will be evident. Over time it is also possible that new pits may appear. These may be easily filled with a proprietary stone filling material.

Scene shower trays are made of an advanced composition of mineral compounds, organic polymers and specific additives which are designed to be moulded. This makes it extremely rigid, resistance to chemical agents and hard wearing whilst appearing highly attractive and easy to clean and repair.

Acrylic shower trays are strongly reinforced with fibreglass to prevent flexing and are supplied with adjustable legs for levelling. A plinth is supplied for corner installation as standard. A three sided plinth is available upon request.

Enamelled steel low profile shower trays are hardwearing and sit directly on the floor, providing a low level alternative to the standard shower tray.

Shallow shower trays will not cope with large quantities of water (over 18 litres per minute). This can be overcome with the use of flow restrictors and/or a smaller shower rose may be required.

All waste pipe work should be installed with adequate falls and ventilation to ensure correct discharge of waste water from the tray.

Wet Rooms

In a wet room, both the floor and walls must be fully waterproofed, referred to as 'tanking'. A shower tray or tiled floor with floor waste is then installed and the bathroom completed with tiles throughout. It is important that a sufficient gradient is set into the sub floor prior to tiling to ensure that water drains freely. This can be followed by the optional installation of a freestanding panel, frameless enclosure or shower screen/s.

A wet room can be successfully achieved using our inbuilt 'wet deck' system, available in various different sizes, along with waterproofing membrane. Please ask in store for more details and refer to the Fired Earth Waterproofing Guide.

It is important to remember that the design and installation of a shower area or wet room is a highly complex process, with the requirement for skilled and careful installation paramount if the successful waterproofing and tiling of the area is to be achieved. It is important that all instructions on packaging, adhesives, grouts and sealants should be read very carefully and fully understood before work commences.

A waterproof shower area can be designed in one of three ways.

1. A shower tray built within a cubicle, with waterproofing to the cubicle walls. The walls are then finished with the chosen tiles. A glass shower screen and/or door are installed to the open side or sides of the cubicle.

OR

2. A wet room shower, with the floor adapted to form a fall to a waste outlet. Waterproofing is installed on the walls and floor. The floor and walls are then finished with the chosen tiles.

OR

3. A wet room shower, incorporating a 'wet deck' floor former and waste outlet. Waterproofing is installed on the walls and floor. The floor and walls are then finished with the chosen tiles.

Where a 'wet' room is to be fitted it is imperative that it is done correctly if structural damage from moisture is to be prevented. Please ask in store for more details and refer to the Fired Earth Waterproofing Guide.

Shower Enclosures / Panels

Ithaca shower enclosures come with a shower tray which sits directly on the floor or raised on legs and covered with a plinth supplied. A screen and either a left or right hand inward opening door are included.

Orchid frameless enclosures use the least amount of framework necessary, to hold the glass in place. This has the benefit of the enclosure being less intrusive and less overpowering in the general space of the room.

When ordering an Orchid frameless enclosure, it is imperative that careful, accurate measurements are taken as these enclosures are made to measure to special order. The showroom will provide you with a specification sheet that details the information required. Ideally the walls must be vertical and the tray (or floor) level. They should also be at 90° (right angles) to one another. Glass screens can be cut to other angles if required, please speak with the showroom staff for details.

When using surface mounted channels (which are our preferred recommendation) the tiles should be installed prior to taking any measurements. Only when these are confirmed as being correct, should measurements for the enclosure be taken and an order placed as there is minimal tolerance in the framework for measuring inaccuracies. Remember once ordered they cannot be altered. As Fired Earth do not measure enclosures, accurate measurements should be taken by the person fitting the screen.

The Lotus sliding shower door and screens are an ideal solution for shower areas within an alcove or where there is limited space for a shower door to open outwards in to the room. The Lotus range is available with either a left or right handed door.

Lily frameless panels offer more of an 'open enclosure' as they have no door; suitable for standard sized shower trays or wet areas.

If an enclosure is not being used at all, just panels are being used or a cubicle has no door, remember that when showering the water is likely to spray onto the floor, in which case the water must be able to drain back to a secondary waste within the floor.

Iris bath screens are also available in a variety of different sizes which can be surface mounted or recessed.

Heated Towel Rails

All Fired Earth towel rails have a high corrosion resistance being manufactured from either chrome plated high quality brass or stainless steel. Other finishes are available by special order, please ask a member of the sales team for further information.

Traditional style towel rails are supplied complete with connection valves, while a choice of differing stainless steel valves are available for the ladder rails in the Savoy, Apollo and Aldrin ranges.

Heat Sources:

The towel rails in the Fired Earth range can be supplied as suitable for the following heat sources:

- Hot water (closed system) – connected to the central heating system, the towel rail will be on whenever the normal radiators are on.
- Hot water (open system) – connected to the domestic hot water, the towel rail will be on whenever the hot water is on. This means that when the heating is turned off but the hot water is still on, the towel rail will be warm. For this system to operate efficiently, a pump may be required to circulate the hot water through the towel rail. Water is more 'aggressive' in an open water system. **Please note that the Versailles and Versailles cloakroom towel rails are not suitable for this type of system.**
- Dual Fuel – these are normally fitted to the central heating system and are warm whenever the radiators are on. In warmer months when the heating is switched off, the electric element can be switched on to provide warmth. As standard the cable comes out of the left hand side of the rail; some ranges are available with a right-hand cable as a special order.
- Electric – electric heated towel rails emit less heat than the equivalent water model. They simply wire to an electric element fitted in the towel rail (similar to that of an electric kettle) which heats an anti-corrosive liquid already in the towel rail. As standard the cable comes out of the left hand side of the rail; some ranges are available with a right-hand cable as a special order.

Fixing Kits:

A fixing kit is included with every towel rail. Please refer to the product spec sheets for information on connection valves.

Heat Outputs:

The heated towel rails within the Fired Earth range are designed as towel warmers only. The effect of placing towels over the rail to warm will impact on the ability of the rail to heat the room. Consideration should be given to a further source of heat for the room.

Product suitability and technical specification charts.

These charts are provided as a guide to assist in the selection of compatible products. Thought should be given to the positioning of the brassware and sanitaryware at the design stage of the installation.

'These charts are for guidance only. Individual site circumstances, installations and personal requirements may have an impact on the suitability of some bath, basin and tap combinations. Your installer should be able to assist with choosing the correct products to suit your installation and requirements'.

Bath Tap Technical Specification Charts - pages 23 - 24

Tap Compatibility Chart for Built-in & Back to Wall Baths - pages 25 - 26

Tap Compatibility Chart for Freestanding Baths - pages 27 - 35

Pipe Shrouds and Standpipes for use with Freestanding Baths & Taps - page 36

Built in & Back to Wall Bath details and waste kits – page 37

Freestanding bath details and waste kits – page 38

Toilet Pans, Cisterns and Seat compatibility - page 39

Concealed Cistern & Wall Frame Flush Plate Compatibility - page 40

Basin Tap Technical Specification Charts - pages 41 – 42

Tap Compatibility Charts for Basins and Bowls - pages 43 – 58

Basin, Bowl and Consoles suggested wastes - pages 59 - 61

Shower Technical specification Chart - pages 62 - 63

Concealed Shower Wall Mounted Arms - Critical Measurements - page 59

Shower Trays & Wet Room Formers - page 64

Heated Towel Rails - page 65 - 67

Bath Taps Technical Specification Charts.

Bath Taps Technical Specification Chart	Reach of spout in mm	Min / Max hole diameter	Maximum deck thickness in mm	Connection size BSP	Recommended water pressure	Pipe centres in mm	Product code
AVEBURY							
Bath taps	101	28 - 38	28	¾"	1 - 5 bar	n/a	AVETAPB
Bath mounted bath/shower mixer	205	27 - 38	30	¾"	1 - 5 bar	179	AVEBSMIX
Wall mounted bath/shower mixer	235	n/a	n/a	¾"	1 - 5 bar	179	AVEWBSMIX
Bath mounted thermostatic mixer	186	27 - 38	30	¾"	1 - 5 bar	179	AVEBSMIXTHERM2
Wall mounted thermostatic mixer	214	n/a	n/a	¾"	1 - 5 bar	179	AVEWBSMIXTHERM2
Wall mounted bath filler	160	n/a	n/a	¾"	1 - 5 bar	n/a	AVEBATHFILLER
Wall mounted thermostatic mixer & riser	214	n/a	n/a	¾"	1-5 bar	179	AVEWBSRISETRM
BALTIMORE							
! 4 hole bath/shower mixer	205	28 - 35	35	½"	1 – 5 bar	n/a	BALBSMIX !
Wall mounted bath/shower mixer	210	n/a	n/a	½"	1 – 5 bar	150 - 190	BALWBSMIX
BASTIDE							
Bath mounted bath/shower mixer	226	28	20	¾"	1 – 5 bar	140 - 220	BASBSMIX
Wall mounted bath/shower mixer	229	n/a	n/a	¾"	1 – 5 bar	158 - 201	BASBSMIXW
Wall mounted bath filler	215	n/a	n/a	22mm	1 – 5 bar	n/a	BASWBFILL
CLASSIC							
Bath Taps	100	28 - 45	20	¾"	1 - 5 bar	n/a	CLABTAP2
Bath/Shower mixer	150	28 - 45	30	¾"	1 - 5 bar	140 - 267	CLAMIX2
Bath/shower mixer and fixed riser	150	28 - 45	30	¾"	1 - 5 bar	140 - 267	CLABSHMIX2
Wall mounted bath/shower mixer	204	n/a	n/a	½"	1 - 5 bar	158 - 198	CLAWMIX2
EMPIRE							
Bath mounted bath/shower	212	28	25	¾"	1 - 5 bar	180	EMPBSMIX
Wall mounted bath/shower mixer	283	n/a	n/a	¾"	1 - 5 bar	159 - 201	EMPWBSMIX
Wall mounted bath filler	212	n/a	n/a	22mm	1 - 5 bar	200	EMPW3HBATH
HUDSON							
Floor standing bath/shower mixer	246	n/a	n/a	½"	3 - 5 bar	n/a	HUDFSBSMIXBS
Wall mounted bath/shower mixer	225	n/a	n/a	½"	3 - 5 bar	n/a	HUDWBSMIXBS
JAZZ							
Wall mounted water sheet bath filler #	150	n/a	n/a	½"	3 - 5 bar	n/a	JAZWATERSHEET
Wall mounted bath spout #	220	n/a	n/a	½"	3 - 5 bar	n/a	JAZWBATHSPOUT
Floor standing bath spout #	280	n/a	n/a	½"	3 - 5 bar	n/a	JAZZFSBATHSPOUT
Bath mounted spout and diverter #	220	35	45	n/a	3 - 5 bar	n/a	JAZBSPOUT+DIV
JURA							
Bath/shower mixer	194	28 - 40	20	¾"	1 - 5 bar	180	JURBSMIX
Wall mounted bath filler	205	n/a	n/a	22mm	1 – 5 bar	n/a	JURW3HBATH
LIBERTY							
3 hole bath/shower mixer	215	32 - 38	35	½"	3 - 5 bar	110	LIB3HBSMIX+HOSE
Wall mounted bath spout #	200	n/a	n/a	½"	3 - 5 bar	n/a	LIBBATHSPOUT
Floor mounted bath/shower mixer with standpipes	215	n/a	n/a	½"	3 - 5 bar	n/a	LIBERTYBSMIXFS

! – This product is not designed for installation in to the rim of the bath, it should be installed in to a tiled or marble clad shelf or boxing adjacent to the bath.

- Product requires a suitable control valve.

Bath Taps Technical Specification Chart	Reach of spout in mm	Min / Max hole diameter	Maximum deck thickness in mm	Connection size BSP	Recommended water pressure	Pipe centres in mm	Product code
LOGIC							
Bath taps	86	35	35	¾"	1 - 5 bar	n/a	LOGBTAPL /X
Bath/shower mixer	195	35	30	¾"	1 - 5 bar	180	LOGBSMIX /X
Bath wall spout and taps	177	n/a	n/a	¾"	1 - 5 bar	200	LOGBWALLSP
MADMOISELLE							
Wall mounted bath/shower mixer large hand shower	210	n/a	n/a	½"	1 - 5 bar	150 - 190	MADWBSMIXLG
Wall mounted 3 hole bath filler	250	n/a	n/a	¾"	1 - 5 bar	n/a	MADWBATH3HBM
Wall mounted bath/shower mixer with riser	140	n/a	n/a	½"	1 - 5 bar	150 - 190	MADWBSMIXRISEL
METRO							
Floor mounted bath spout with single lever bath mixer	280	n/a	n/a	½"	3 - 5 bar	n/a	METROBSPOUT+MIX
Floor mounted single lever bath/shower mixer with standpipe	260	n/a	n/a	½"	3 - 5 bar	n/a	METROBSMX+PIPEC
Wall mounted bath spout and mixer	200	n/a	n/a	½"	3 - 5 bar	n/a	METROWMXBATHSP T
OVERFLOW FILLER							
Bath overflow filler #	60	n/a	Standard overflow	½"	1 - 5 bar	n/a	CLIWASTEFILLCP

! – This product is not designed for installation in to the rim of the bath, it should be installed in to a tiled or marble clad shelf or boxing adjacent to the bath.

- Product requires a suitable control valve.

Check the reach of the tap spout into the bath suits your requirement. All measurements are available in the product information pack.

NOTE: The Mademoiselle wall mounted Bath / Shower mixers can be used as deck mounted taps with the additional purchase of the 'Deck Standpipes' (see brochure for details).

Tap Compatibility Charts for Built-in and Back to Wall Baths.

Tap Compatibility Chart for Built-in and Back to Wall Baths.	Reach of spout in mm	Logic single ended (2tap holes)	Logic single ended (No tap holes)	Logic Double ended (No tap holes)		Bretagne Back to Wall. (No tap holes, but can be drilled on site)	Normandie Back to Wall. (No tap holes, but can be drilled on site)	Venus Back to Wall. (No tap holes, but can be drilled on site)
Bath weight		Up to 50Kg	Up to 50Kg	Up to 60Kg		63kg	45Kg	55Kg
AVEBURY								
Bath taps	101	YES Use lever taps	X	X		YES**	YES**	YES**
Bath mounted bath/shower mixer	205	YES	X	X		YES** Deck Mount or S/pipes	YES** Deck Mount or S/pipes	YES** Deck Mount or S/pipes
Wall mounted bath/shower mixer	235	X	YES*	YES*		YES*	YES*	YES*
Bath mounted thermostatic mixer	186	YES	X	X		YES** Deck Mount or S/pipes	YES** Deck Mount or S/pipes	YES** Deck Mount or S/pipes
Wall mounted thermostatic mixer	214	X	YES*	YES*		YES*	YES*	YES*
Wall mounted filler	160	X	YES*	YES*		YES*	YES*	YES*
Wall mounted thermostatic mixer & riser	214	X	X	X		YES*	YES*	YES*
BALTIMORE								
! 4 hole bath/shower mixer	205	X	NOTE !	NOTE !		X	X	X
Wall mounted bath/shower mixer	210	X	YES*	YES*		YES*	YES*	YES*
BASTIDE								
Bath mounted bath/shower mixer	226	YES	X	X		YES** Deck Mount or S/pipes	YES** Deck Mount or S/pipes	YES** Deck Mount or S/pipes
Wall mounted bath/shower mixer	229	X	YES*	YES*		YES*	YES*	YES*
Wall mounted bath filler	215	X	YES*	YES*		YES*	YES*	YES*
CLASSIC								
Bath Taps	100	YES use lever taps	X	X		YES**	YES**	YES**
Bath/Shower mixer	150	YES	X	X		YES** Deck Mount or S/pipes	YES** Deck Mount or S/pipes	YES** Deck Mount or S/pipes
Bath/shower mixer and fixed riser	150	X	X	X		YES**	YES**	YES**
Wall mounted bath/shower mixer	204	X	YES*	YES*		YES*	YES*	YES*
EMPIRE								
Bath mounted bath/shower	212	YES	X	X		YES** Deck Mount or S/pipes	YES** Deck Mount or S/pipes	YES** Deck Mount or S/pipes
Wall mounted bath/shower mixer	283	X	YES*	YES*		YES*	YES*	YES*
Wall mounted bath filler	212	X	YES*	YES*		YES*	YES*	YES*
HUDSON								
Floor standing bath/shower mixer	246	X	YES	YES		YES	YES	YES
Wall mounted bath/shower mixer	225	X	YES*	YES*		YES*	YES*	YES*

* - Provided the bath is positioned appropriately against the wall.

** - Provided the tap holes are drilled on site by the installer.

- Product requires a suitable control valve.

NOTE! – This product is not designed for installation in to the rim of the bath, it should be installed in to a tiled or marble clad shelf or boxing adjacent to the bath.

Tap Compatibility Chart for Built-in and Back to Wall Baths.	Reach of spout in mm	Logic single ended (2tap holes)	Logic single ended (No tap holes)	Logic Double ended (No tap holes)		Bretagne Back to Wall. (No tap holes, but can be drilled on site)	Normandie Back to Wall. (No tap holes, but can be drilled on site)	Venus Back to Wall. (No tap holes, but can be drilled on site)
Bath weight		Up to 50Kg	Up to 50Kg	Up to 60Kg		63kg	45Kg	55Kg
JAZZ								
Wall mounted water sheet bath filler #	150	X	YES*	YES*		YES*	YES*	YES*
Wall mounted bath spout #	220	X	YES*	YES*		YES*	YES*	YES*
Floor standing bath spout #	280	X	YES	YES		YES	YES	YES
Bath mounted spout and diverter #	220	X	X	X		YES**	YES**	YES**
JURA								
Bath/shower mixer	194	YES	X	X		YES** Deck Mount or S/pipes	YES** Deck Mount or S/pipes	YES** Deck Mount or S/pipes
Wall mounted bath filler	205	X	YES*	YES*		YES*	YES*	YES*
LIBERTY								
3 hole bath/shower mixer	215	X	X	X		YES**	YES**	YES**
Wall mounted bath spout #	200	X	YES*	YES*		YES*	YES*	YES*
Floor mounted bath/shower mixer with standpipes	215	X	YES	YES		YES	YES	YES
LOGIC								
Bath taps	86	YES	X	X		YES**	YES**	YES**
Bath/shower mixer	195	YES	X	X		YES** Deck Mount or S/pipes	YES** Deck Mount or S/pipes	YES** Deck Mount or S/pipes
Bath wall spout and taps	177	X	YES*	YES*		YES*	YES*	YES*
MADEMOISELLE								
Wall mounted bath/shower mixer large hand shower	210	YES use deck s/pipes	YES*	YES*		YES*	YES*	YES*
Wall mounted 3 hole bath filler	250	X	YES*	YES*		YES*	YES*	YES*
Wall mounted bath/shower mixer with riser	140	X	YES*	YES*		YES*	YES*	YES*
METRO								
Floor mounted bath spout with single lever bath mixer	280	X	YES	YES		YES	YES	YES
Floor mounted single lever bath/shower mixer with standpipe	260	X	YES	YES		YES	YES	YES
Wall mounted bath spout and mixer	200	X	YES*	YES*		YES*	YES*	YES*
OVERFLOW FILLER								
Bath overflow filler #	60	X	YES	YES		YES	YES	YES

* - Provided the bath is positioned appropriately against the wall.

** - Provided the tap holes are drilled on site by the installer.

- Product requires a suitable control valve.

NOTE! – This product is not designed for installation in to the rim of the bath, it should be installed in to a tiled or marble clad shelf or boxing adjacent to the bath.

Tap Compatibility Charts for Free Standing Baths.

Tap compatibility chart for Free standing baths.	Reach of spout in mm	Aurea Slipper (No tap holes)	Atlantic (No tap holes)	Babylon ALL sizes (No tap holes)	Boston Slipper (No tap holes)	Boston 1650 & 1815 (No tap holes)	Brighton (No tap holes, but can be drilled on site)	Canterbury Full size & Mini (No tap holes)	Canterbury Full size & Mini (2 Tap holes)
Bath weight		44Kg	242Kg	30 -60Kg	52Kg	54-63Kg	77Kg	55 -60Kg	55 -60Kg
AVEBURY									
Bath taps	101	X	X	X	X	X	X	X	YES
Bath mounted bath/shower mixer	205	YES S/pipes	YES S/pipes	YES S/pipes	YES S/pipes	YES S/pipes	YES** Deck Mount	YES S/pipes	YES
Wall mounted bath/shower mixer	235	YES*	X	YES*	YES*	YES*	YES*	YES*	X
Bath mounted thermostatic mixer	186	YES S/pipes	YES S/pipes	YES S/pipes	YES S/pipes	YES S/pipes	YES** Deck Mount	YES S/pipes	YES
Wall mounted thermostatic mixer	214	YES*	X	YES*	YES*	YES*	YES*	YES*	X
Wall mounted filler	160	YES*	X	YES*	YES*	YES*	X	YES*	X
Wall mounted thermostatic mixer & riser	214	X	X	X	X	X	X	X	X
BALTIMORE									
! 4 hole bath/shower mixer	205	X	X	X	X	X	X	X	X
Wall mounted bath/shower mixer	210	YES*	X	YES*	YES*	YES*	YES*	YES*	X
BASTIDE									
Bath mounted bath/shower mixer	226	YES S/pipes	YES S/pipes	YES S/pipes	YES S/pipes	YES S/pipes	YES** Deck Mount or S/pipes	YES S/pipes	YES
Wall mounted bath/shower mixer	229	YES*	X	YES*	YES*	YES*	YES*	YES*	X
Wall mounted bath filler	215	YES*	X	YES*	YES*	YES*	YES*	YES*	X
CLASSIC									
Bath taps	100	X	X	X	X	X	X	X	YES
Bath/shower mixer	150	YES S/pipes	YES S/pipes	YES S/pipes	YES S/pipes	YES S/pipes	YES** Deck Mount	YES S/pipes	YES
Bath/shower mixer with fixed riser	150	X	X	X	X	X	X	X	X
Wall mounted bath/shower mixer	204	YES*	X	YES*	YES*	YES*	YES*	YES*	X

* - Provided the bath is installed appropriately against the wall.

** - Provided the tap holes are drilled on site by the installer.

- Product requires a suitable control valve.

NOTE! – This product is not designed for installation in to the rim of the bath, it should be installed in to a tiled or marble clad shelf or boxing adjacent to the bath.

Tap compatibility chart for Free standing baths.	Reach of spout in mm	Aurea Slipper (No tap holes)	Atlantic (No tap holes)	Babylon ALL sizes (No tap holes)	Boston Slipper (No tap holes)	Boston 1650 & 1815 (No tap holes)	Brighton (No tap holes. but can be drilled on site)	Canterbury Full size & Mini (No tap holes)	Canterbury Full size & Mini (2 Tap holes)
Bath weight		44Kg	242Kg	30 -60Kg	52Kg	54-63Kg	77Kg	55-60Kg	55-60Kg
EMPIRE									
Bath mounted bath/shower mixer	212	YES S/pipes	YES S/pipes	YES S/pipes	YES S/pipes	YES S/pipes	YES** Deck Mount	YES S/pipes	YES
Wall mounted bath/shower mixer	283	YES*	X	YES*	YES*	YES*	YES*	YES*	X
Wall mounted bath filler	212	YES*	X	YES*	YES*	YES*	YES*	YES*	X
HUDSON									
Floor standing bath/shower mixer	246	YES	YES	YES	YES	YES	YES	YES	X
Wall mounted bath/shower mixer	225	YES*	X	YES*	YES*	YES*	YES*	YES*	X
JAZZ									
Wall mounted water sheet bath filler #	150	YES*	X	YES*	YES*	YES*	YES*	YES*	X
Wall mounted bath spout #	220	YES*	X	YES*	YES*	YES*	YES*	YES*	X
Floor standing bath spout #	280	YES	YES	YES	YES	YES	YES	YES	X
Bath mounted bath spout and diverter #	220	X	X	X	X	X	X	X	X
JURA									
Bath/shower mixer	194	YES S/pipes	YES S/pipes	YES S/pipes	YES S/pipes	YES S/pipes	YES** Deck Mount	YES S/pipes	YES
Wall mounted bath filler	205	YES*	X	YES*	YES*	YES*	YES*	YES*	X
LIBERTY									
3 hole bath/shower mixer	215	X	X	X	X	X	X	X	X
Wall mounted bath spout #	200	YES*	X	YES*	YES*	YES*	YES*	YES*	X
Floor mounted bath/shower mixer with standpipe	215	YES	YES	YES	YES	YES	YES	YES	X

* - Provided the bath is installed appropriately against the wall.

** - Provided the tap holes are drilled on site by the installer.

- Product requires a suitable control valve.

NOTE! – This product is not designed for installation in to the rim of the bath, it should be installed in to a tiled or marble clad shelf or boxing adjacent to the bath.

Tap compatibility chart for Free standing baths.	Reach of spout in mm	Aurea Slipper (No tap holes)	Atlantic (No tap holes)	Babylon ALL sizes (No tap holes)	Boston Slipper (No tap holes)	Boston 1650 & 1815 (No tap holes)	Brighton (No tap holes. but can be drilled on site)	Canterbury Full size & Mini (No tap holes)	Canterbury Full size & Mini (2 Tap holes)
Bath weight		44Kg	242Kg	30 -60Kg	52Kg	54-63Kg	77Kg	55-60Kg	55-60Kg
LOGIC									
Bath taps	86	X	X	X	X	X	X	X	YES
Bath/shower mixer	195	YES S/pipes	YES S/pipes	YES S/pipes	YES S/pipes	YES S/pipes	YES** Deck Mount	YES S/pipes	YES
Bath wall spout and taps	177	YES*	X	YES*	YES*	YES*	X	YES*	X
MADEMOISELLE									
Wall mounted bath/shower mixer large hand shower	210	YES* or S/pipes	YES S/pipes	YES* or S/pipes	YES* or S/pipes	YES* or S/pipes	YES* or use deck S/pipes	YES* or S/pipes	YES use deck s/pipes
Wall mounted 3 hole bath filler	250	YES*	X	YES*	YES*	YES*	YES*	YES*	X
Wall mounted bath/shower mixer with riser	140	X	X	X	X	X	X	X	X
METRO									
Floor mounted bath spout with single lever bath mixer	280	YES	YES	YES	YES	YES	YES	YES	X
Floor mounted single lever bath/shower mixer with standpipe	260	YES	YES	YES	YES	YES	YES	YES	X
Wall mounted bath spout and mixer	200	YES*	X	YES*	YES*	YES*	YES*	YES*	X
OVERFLOW FILLER									
Bath overflow filler #	60	X	X	X	X	X	X	X	X

* - Provided the bath is installed appropriately against the wall.

** - Provided the tap holes are drilled on site by the installer.

- Product requires a suitable control valve.

NOTE! – This product is not designed for installation in to the rim of the bath, it should be installed in to a tiled or marble clad shelf or boxing adjacent to the bath.

Tap compatibility chart for Free standing baths.	Reach of spout in mm	Canterbury Slipper (No tap holes)	Hamptons (No tap holes)	Versailles Slipper 1540 & 1700 (No tap holes)	Versailles Slipper 1540 & 1700 (2 tap holes)	Versailles Single Ended (No tap holes)	Versailles Single Ended (2 tap holes)	Versailles Double Ended (No tap holes)	Versailles Double Ended (2 tap holes)
Bath weight		70Kg	72Kg	121/125 Kg	121/125 Kg	132 kg	132 kg	115kg	115Kg
AVEBURY									
Bath taps	101	X	X	X	YES	X	YES	X	YES
Bath mounted bath/shower mixer	205	YES S/pipes	YES S/pipes	YES S/pipes	YES	YES S/pipes	YES	YES S/pipes	YES
Wall mounted bath/shower mixer	235	YES*	YES*	YES*	X	YES*	X	YES*	X
Bath mounted thermostatic mixer	186	YES S/pipes	YES S/pipes	YES S/pipes	YES	YES S/pipes	YES	YES S/pipes	YES
Wall mounted thermostatic mixer	214	YES*	YES*	YES*	X	YES*	X	YES*	X
Wall mounted filler	160	YES*	YES*	YES*	X	YES*	X	YES*	X
Wall mounted thermostatic mixer & riser	214	X	X	X	X	X	X	X	X
BALTIMORE									
! 4 hole bath/shower mixer	200	X	X	X	X	X	X	X	X
Wall mounted bath/shower mixer	210	YES*	YES*	YES*	X	YES*	X	YES*	X
BASTIDE									
Bath mounted bath/shower mixer	226	YES S/pipes	YES S/pipes	YES S/pipes	YES	YES S/pipes	YES	YES S/pipes	YES
Wall mounted bath/shower mixer	229	YES*	YES*	YES*	X	YES*	X	YES*	X
Wall mounted bath filler	215	YES*	YES*	YES*	X	YES*	X	YES*	X
CLASSIC									
Bath taps	100	X	X	X	YES	X	YES	X	YES
Bath/shower mixer	150	YES S/pipes	YES S/pipes	YES S/pipes	YES	YES S/pipes	YES	YES S/pipes	YES
Bath/shower mixer with fixed riser	150	X	X	X	X	X	X	X	X
Wall mounted bath/shower mixer	204	YES*	YES*	YES*	X	YES*	X	YES*	X

* - Provided the bath is positioned appropriately against the wall.

** - Provided the tap holes are drilled on site by the installer.

- Product requires a suitable control valve

NOTE! – This product is not designed for installation in to the rim of the bath, it should be installed in to a tiled or marble clad shelf or boxing adjacent to the bath.

Tap compatibility chart for Free standing baths.	Reach of spout in mm	Canterbury Slipper (No tap holes)	Hamptons (No tap holes)	Versailles Slipper 1540 & 1700 (No tap holes)	Versailles Slipper 1540 & 1700 (2 tap holes)	Versailles Single Ended (No tap holes)	Versailles Single Ended (2 tap holes)	Versailles Double Ended (No tap holes)	Versailles Double Ended (2 tap holes)
Bath weight		70Kg	72Kg	121/125 Kg	121/125 Kg	132 kg	132 kg	115kg	115Kg
EMPIRE									
Bath mounted bath/shower mixer	212	YES S/pipes	YES S/pipes	YES S/pipes	YES	YES S/pipes	YES	YES S/pipes	YES
Wall mounted bath/shower mixer	283	YES*	YES*	YES*	X	YES*	X	YES*	X
Wall mounted bath filler	212	YES*	YES*	YES*	X	YES*	X	YES*	X
HUDSON									
Floor standing bath/shower mixer	246	YES	YES	YES	X	YES	X	YES	X
Wall mounted bath/shower mixer	225	YES*	YES*	YES*	X	YES*	X	YES*	X
JAZZ									
Wall mounted water sheet bath filler#	150	YES*	YES*	YES*	X	YES*	X	YES*	X
Wall mounted bath spout #	220	YES*	YES*	YES*	X	YES*	X	YES*	X
Floor standing bath spout #	280	YES	YES	YES	X	YES	X	YES	X
Bath mounted bath spout and diverter #	220	X	X	X	X	X	X	X	X
JURA									
Bath/shower mixer	194	YES S/pipes	YES S/pipes	YES S/pipes	YES	YES S/pipes	YES	YES S/pipes	YES
Wall mounted bath filler	205	YES*	YES*	YES*	X	YES*	X	YES*	X
LIBERTY									
3 hole bath/shower mixer	215	X	X	X	X	X	X	X	X
Wall mounted bath spout #	200	YES*	YES*	YES*	X	YES*	X	YES*	X
Floor mounted bath/shower mixer with standpipe	215	YES	YES	YES	X	YES	X	YES	X

* - Provided the bath is positioned appropriately against the wall.

** - Provided the tap holes are drilled on site by the installer.

- Product requires a suitable control valve.

NOTE! – This product is not designed for installation in to the rim of the bath, it should be installed in to a tiled or marble clad shelf or boxing adjacent to the bath.

Tap compatibility chart for Free standing baths.	Reach of spout in mm	Canterbury Slipper (No tap holes)	Hamptons (No tap holes)	Versailles Slipper 1540 & 1700 (No tap holes)	Versailles Slipper 1540 & 1700 (2 tap holes)	Versailles Single Ended (No tap holes)	Versailles Single Ended (2 tap holes)	Versailles Double Ended (No tap holes)	Versailles Double Ended (2 tap holes)
Bath weight		70Kg	72Kg	121/125 Kg	121/125 Kg	132 kg	132 kg	115kg	115Kg
LOGIC									
Bath taps	86	X	X	X	YES	X	YES	X	YES
Bath/shower mixer	195	YES S/pipes	YES S/pipes	YES S/pipes	YES	YES S/pipes	YES	YES S/pipes	YES
Bath wall spout and taps	177	YES*	YES*	YES*	X	YES*	X	YES*	X
MADEMOISELLE									
Wall mounted bath/shower mixer large hand shower	210	YES* or S/pipes	YES* or S/pipes	YES S/pipes	YES +deck s/pipes	YES S/pipes	YES use deck s/pipes	YES* or S/pipes	YES use deck s/pipes
Wall mounted 3 hole bath filler	250	YES*	YES*	YES*	X	YES*	X	YES*	X
Wall mounted bath/shower mixer with riser	140	X	X	X	X	X	X	X	X
METRO									
Floor mounted bath spout with single lever bath mixer	280	YES	YES	YES	X	YES	X	YES	X
Floor mounted single lever bath/shower mixer with standpipe	260	YES	YES	YES	X	YES	X	YES	X
Wall mounted bath spout and mixer	200	YES*	YES*	YES*	X	YES*	X	YES*	X
OVERFLOW FILLER									
Bath overflow filler	60	X	X	X	X	X	X	X	X

* - Provided the bath is positioned appropriately against the wall.

** - Provided the tap holes are drilled on site by the installer.

- Product requires a suitable control valve.

NOTE! – This product is not designed for installation in to the rim of the bath, it should be installed in to a tiled or marble clad shelf or boxing adjacent to the bath.

Tap compatibility chart for Free standing baths.	Reach of spout in mm	Kyoto (No tap holes)	Malta (No tap holes)	Osaka (No tap holes)					
Bath weight		115Kg	57-63Kg	145Kg					
AVEBURY									
Bath taps	101	X	X	X					
Bath mounted bath/shower mixer	205	YES S/pipes	YES S/pipes	YES S/pipes					
Wall mounted bath/shower mixer	235	YES*	YES*	YES*					
Bath mounted thermostatic mixer	186	YES S/pipes	YES S/pipes	YES S/pipes					
Wall mounted thermostatic mixer	214	YES*	YES*	YES*					
Wall mounted filler	160	YES*	YES*	YES*					
Wall mounted thermostatic mixer & riser	214	X	X	X					
BALTIMORE									
! 4 hole bath/shower mixer	200	X	X	X					
Wall mounted bath/shower mixer	210	YES*	YES*	YES*					
BASTIDE									
Bath mounted bath/shower mixer	226	YES S/pipes	YES S/pipes	YES S/pipes					
Wall mounted bath/shower mixer	229	YES*	YES*	YES*					
Wall mounted bath filler	215	YES*	YES*	YES*					
CLASSIC									
Bath taps	100	X	X	X					
Bath/shower mixer	150	YES S/pipes	YES S/pipes	YES S/pipes					
Bath/shower mixer with fixed riser	150	X	X	X					
Wall mounted bath/shower mixer	204	YES*	YES*	YES*					

* - Provided the bath is positioned appropriately against the wall.

** - Provided the tap holes are drilled on site by the installer.

- Product requires a suitable control valve.

NOTE! – This product is not designed for installation in to the rim of the bath, it should be installed in to a tiled or marble clad shelf or boxing adjacent to the bath.

Tap compatibility chart for Free standing baths.	Reach of spout in mm	Kyoto (No tap holes)	Malia (No tap holes)	Osaka (No tap holes)					
Bath weight		115Kg	57-63Kg	145Kg					
EMPIRE									
Bath mounted bath/shower mixer	212	YES S/pipes	YES S/pipes	YES S/pipes					
Wall mounted bath/shower mixer	283	YES*	YES*	YES*					
Wall mounted bath filler	212	YES*	YES*	YES*					
HUDSON									
Floor standing bath/shower mixer	246	YES	YES	YES					
Wall mounted bath/shower mixer	225	YES*	YES*	YES*					
JAZZ									
Wall mounted water sheet bath filler#	150	YES*	YES*	YES*					
Wall mounted bath spout #	220	YES*	YES*	YES*					
Floor standing bath spout #	280	YES	YES	YES					
Bath mounted bath spout and diverter #	220	X	X	X					
JURA									
Bath/shower mixer	194	YES S/pipes	YES S/pipes	YES S/pipes					
Wall mounted bath filler	205	YES*	YES*	YES*					
LIBERTY									
3 hole bath/shower mixer	215	X	X	X					
Wall mounted bath spout #	200	YES*	YES*	YES*					
Floor mounted bath/shower mixer with standpipe	215	YES	YES	YES					

* - Provided the bath is positioned appropriately against the wall.

** - Provided the tap holes are drilled on site by the installer.

- Product requires a suitable control valve.

NOTE! – This product is not designed for installation in to the rim of the bath, it should be installed in to a tiled or marble clad shelf or boxing adjacent to the bath.

Tap compatibility chart for Free standing baths.	Reach of spout in mm	Kyoto (No tap holes)	Malia (No tap holes)	Osaka (No tap holes)					
Bath weight		115Kg	57-63Kg	145Kg					
LOGIC									
Bath taps	86	X	X	X					
Bath/shower mixer	195	YES S/pipes	YES S/pipes	YES S/pipes					
Bath wall spout and taps	177	YES*	YES*	YES*					
MADEMOISELLE									
Wall mounted bath/shower mixer large hand shower	210	YES* or S/pipes	YES* or S/pipes	YES* or S/pipes					
Wall mounted 3 hole bath filler	250	YES*	YES*	YES*					
Wall mounted bath/shower mixer with riser	140	X	X	X					
METRO									
Floor mounted bath spout with single lever bath mixer	280	YES	YES	YES					
Floor mounted single lever bath/shower mixer with standpipe	260	YES	YES	YES					
Wall mounted bath spout and mixer	200	YES*	YES*	YES*					
OVERFLOW FILLER									
Bath overflow filler	60	X	X	X					

* - Provided the bath is positioned appropriately against the wall.

** - Provided the tap holes are drilled on site by the installer.

- Product requires a suitable control valve.

NOTE! – This product is not designed for installation in to the rim of the bath, it should be installed in to a tiled or marble clad shelf or boxing adjacent to the bath.

Details of Pipe Shrouds and Standpipes for use with Baths.

Bath Shrouds and Standpipes	Height (Floor to top of Standpipe)	Diameter of pipe	Diameter of Base Plate	Connection Size	Compatible With	Can Height be Cut Down	Product code
Bath Shrouds	800mm	35mm	88mm	n/a	All Taps & Mixers Deck Mounted	YES	BSHROUD
Avebury Standpipes	699mm	51mm	89mm	22mm	Avebury B/S Mixers	NO	AVESTANDPIPEC
Bastide Standpipes	705mm	48mm	80mm	¾"bsp	Bastide B/S Mixer	NO	BASSTANDPIPEC
Empire Standpipes	705mm	48mm	90mm	¾"bsp	Empire B/S Mixer	NO	EMPSTANDPIPEPN
Jura Standpipes	705mm	48mm	80mm	¾"bsp	Jura B/S Mixer	NO	JURFSLEGS
Logic Standpipes	800mm	35mm	90mm	22mm	Logic B/S Mixer	YES	LOGSTANDPIPEC
Mademoiselle Standpipes	800mm	35mm	70mm	¾"bsp	Mademoiselle B/S mixer	NO	MADFLSPIPEC
Standpipes	650mm	40mm	80mm	¾"bsp	Classic B/S Mixer	NO	STANDPIPECP2

As a guide:

Standpipes are used when a bath / shower mixer tap is freestanding:

Used when the ledge of the bath has no tap holes and the bath shower / mixer is installed 'free standing'. Please note the standpipes contain the pipe work which connects the water supply to the tap and access below the floor may be required during installation.

Bath Pipe Shrouds are used when a bath / shower mixer tap is to be deck mounted.

Used when the ledge of the bath has tap holes. In this instance, the tap is installed in to the holes on the bath ledge. The hot and cold supply pipes to the taps are encased within the bath shrouds to improve the appearance of the pipe work.

The product, BSHROUD, is suitable for most installations of this type. Please note the shrouds are simply a chrome tube, within which the customers own supply pipe work is encased. Access below the floor may be required during installation.

Built-in and Back to Wall Bath Details and Suggested Waste Kit.

Bath	No. of tap holes	Material	Weight	Suggested waste
Logic single ended	2	Enamelled Titanium steel	53Kg	BWASTECP2, or CLIBATHWASCP
Logic single ended	0	Enamelled Titanium steel	53kg	CLIWASTEFILLCP or CLIBATHWASCP
Logic double ended	0	Enamelled Titanium steel	59Kg	CLIWASTEFILLCP or CLIBATHWASCP
Bretagne Back to Wall	0**	Acrylic	63kg	CLIWASTEFILLCP or CLIBATHWASCP
Normandie Back to Wall	0**	Acrylic	45Kg	CLIWASTEFILLCP or CLIBATHWASCP
Venus Back to Wall	0**	Acrylic	55kg	CLIWASTEFILLCP or CLIBATHWASCP

** - Tap holes can be drilled on site by installer.

BWASTECP2
CLIBATHWASCP
CLIWASTEFILLCP

Built in bath waste with plug and chain.
Built in bath waste with clicker plug.
Built in bath waste with clicker plug and filler.

Freestanding Bath Details and Suggested Waste Kit.

Bath	No. of tap holes	Material	Weight	Suggested waste
Aurea	0	Acrylic	44Kg	With the bath
Atlantic	0	Cast iron	242Kg	EXPWASTECP2 or CLIEXPBATHWASCP
Babylon 1500/1700/2000	0	Copper	30 / 40 / 60Kg	With the bath
Boston	0	Composite stone material	63Kg	With the bath
Boston Slipper	0	Composite stone material	52Kg	With the bath
Brighton	0**	Correro	77Kg	With the bath
Canterbury Regular	0	Composite stone material	60Kg	EXPWASTECP2 or CLIEXPBATHWASCP
Canterbury Regular	2	Composite stone material	60Kg	EXPWASTECP2 or CLIEXPBATHWASCP
Canterbury Mini	0	Composite stone material	55kg	EXPWASTECP2 or CLIEXPBATHWASCP
Canterbury Mini	2	Composite stone material	55kg	EXPWASTECP2 or CLIEXPBATHWASCP
Canterbury Slipper	0	Composite stone material	70Kg	EXPWASTECP2 or CLIEXPBATHWASCP
Hampton	0	Composite stone material	95Kg	With the bath
Kyoto	0	Cast Natural Stone	115Kg	With the bath
Malia	0	Acrylic	57 – 63 kg	With the bath
Osaka	0	Cast Natural Stone	145Kg	With the bath
Versailles Slipper	0	Cast iron	121 – 125kg	EXPWASTECP2 or CLIEXPBATHWASCP
Versailles Slipper	2	Cast iron	121 – 125kg	EXPWASTECP2 or CLIEXPBATHWASCP
Versailles Single Ended	0	Cast iron	132kg	EXPWASTECP2 or CLIEXPBATHWASCP
Versailles Single Ended	2	Cast iron	132kg	EXPWASTECP2 or CLIEXPBATHWASCP
Versailles Double Ended	0	Cast iron	130Kg	EXPWASTECP2 or CLIEXPBATHWASCP
Versailles Double Ended	2	Cast iron	130Kg	EXPWASTECP2 or CLIEXPBATHWASCP

** - Tap holes can be drilled on site by installer.

EXPWASTECP2
CLIEXPBATHWASCP
CLIBATHWASCP
CLIWASTE FILLCP

Exposed bath waste with plug and chain.
Exposed bath waste with clicker plug.
Built in bath waste with clicker plug.
Built in bath waste with clicker plug and filler.

Toilet Pans, Cisterns and Seats.

Toilet	Single or Dual Flush	Seat included with toilet	Suitable Toilet seat from range	Notes
ATLANTIC				
Close Coupled	Single	NO	Atlantic or Atlantic soft close seat.	
Wall Hung	Dual/Single*	NO	Atlantic or Atlantic soft close seat.	Requires frame with integral cistern
BATTERSEA				
Close Coupled	Single	NO	Standard TS or TS soft close seat.	
FITZROVIA				
Close Coupled	Single	NO	Fitzrovia Seat	
FLORENCE				
Close Coupled	Dual	YES	n/a	Pan fits tight against the wall
Wall Hung	Dual/Single*	YES	n/a	Requires frame with integral cistern
KENSINGTON				
Back to wall	Dual/Single*	NO	Kensington or Kensington soft close seat.	Requires concealed cistern
Close Coupled	Single	NO	Kensington or Kensington soft close seat.	
Wall Hung	Dual/Single*	NO	Standard TS or TS soft close seat.	Requires frame with integral cistern
Low Level	Single	NO	Standard TS or TS soft close seat.	
High Level	Single	NO	Standard TS or TS soft close seat.	
MAIDA VALE				
Back to wall	Dual/Single*	NO	Maida Vale or Maida Vale soft close seat.	Requires concealed cistern
Wall Hung	Dual/Single*	NO	Maida Vale or Maida Vale soft close seat.	Requires frame with integral cistern
VERSAILLES				
Close Coupled	Dual	NO	Versailles or Versailles soft close seat.	
High Level	Single	NO	Versailles or Versailles soft close seat.	

*Depends on the type of concealed cistern installed.

Concealed Cisterns & Wall Frames – Flush Plate Compatibility.

Flush Plate		Concealed Cistern		
Description	Fired Earth Code	BTWCONCIS Concealed Cistern	WALLFRAMTO1 0.82 Concealed frame with integral cistern.	WALLFRAMTO1 1.12 Concealed frame with integral cistern.
Kappa 20 Chrome	WALPLATKAPPA20C	YES	YES	X
Kappa 20 White	WALPLATKAPPA20W	YES	YES	X
Kappa 20 Matt Chrome	WALPLATKAPPA20M	YES	YES	X
Kappa 50 Chrome	WALPLATKAPPA50C	YES	YES	X
Kappa 50 White	WALPLATKAPPA50W	YES	YES	X
Kappa 50 Matt Chrome	WALPLATKAPPA50M	YES	YES	X
Sigma 01 Chrome	WALPLATSIGMA01C	X	X	YES
Sigma 01 White	WALPLATSIGMA01W	X	X	YES
Sigma 01 Brass	WALPLATSIGMA01B	X	X	YES
Sigma 01 Matt Chrome	WALPLATSIGMA01M	X	X	YES
Sigma 20 Chrome	WALPLATSIGMA20C	X	X	YES
Sigma 20 White	WALPLATSIGMA20W	X	X	YES
Sigma 20 Brushed S/Steel	WALPLATSIGMA20BS	X	X	YES
Sigma 50 Black	WALPLATSIGMA50B	X	X	YES
Sigma 50 Smoked Glass	WALPLATSIGMA50S	X	X	YES
Sigma 50 White	WALPLATSIGMA50W	X	X	YES
Sigma 50 Brushed Chrome	WALPLATSIGMA50M	X	X	YES
Sigma 60 Brushed Chrome	WALPLATSIGMA60M	X	X	YES
Bolero Chrome	WALPLATBOLEROC	X	X	YES
Bolero White	WALPLATBOLERO	X	X	YES
Bolero Matt Chrome	WALPLATBOLEROM	X	X	YES
Bolero Brass	WALPLATBOLEROB	X	X	YES
Finger Button	WALBUTFINGERC	YES	X	X
Wall Double Button White	WALBUTTONBLW	YES	YES	YES
Wall Double Button Chrome	WALBUTTONBLC	YES	YES	YES
Wall Palm Button White	WALBUTTONPALMW	YES	YES	YES
Wall Palm Button Chrome	WALBUTTONPALMC	YES	YES	YES

Basin Taps Technical Specification Chart.

Basin taps technical specification chart	Reach of spout in mm	Min/Max hole diameter in mm	Maximum deck thickness in mm	Connection size	Recommended water pressure	Pipe centres in mm	Product code
AVEBURY							
Basin taps	115	28 - 38	52	½" bsp	1 - 5 bar	n/a	AVETAPBS X/L
3 hole basin mixer*	141	28 - 32 / 25 - 32	42	½" bsp	1 - 5 bar	250 max	AVE3HBM X/L
Wall mounted vessel filler	163 - 195	n/a	n/a	15mm comp	1 - 5 bar	203	AVEW3HBM X/L
Deck mounted vessel filler	165	28 - 32 / 25 - 32	48	½" bsp	1 - 5 bar	300 max	AVEEXT3HBM X/L
BALTIMORE							
3 hole basin mixer	205	28 - 35	35	½" bsp	1 - 5 bar	n/a	BAL3HBM
Wall mounted 3 hole basin mixer	225	n/a	n/a	¾" bsp	1 - 5 bar	n/a	BALW3HBM
BASTIDE							
Single lever tap*	110	50 max	30	15mm tails	1 - 5 bar	n/a	BASMONO
3 hole basin mixer*	143	32 - 40	40	½" bsp	1 - 5 bar	300max	BAS3HBM X/L
3 hole wall mounted basin mixer	180	n/a	n/a	22mm comp	1 - 5 bar	200mm	BASW3HBM X/L
CLASSIC							
Basin taps	80	20 - 38	25	½" bsp	1 - 5 bar	n/a	CLATAP2 /L
3 hole basin mixer*	116	30	40	½" bsp	1 - 5 bar	300 max	CLA3HBM2 /L
3 hole basin mixer - ext*	141	30	40	½" bsp	1 - 5 bar	300 max	CLA3HBM2EXT
Single hole mixer* (X head)	125	30	30	15mm tails	1 - 5 bar	n/a	CLAMONO2
Monobloc mixer* (Lever)	105	35	40	15mm tails	1 - 5 bar	n/a	CLAMONOL2
3 hole wall mounted mixer	175	n/a	n/a	22mm comp	1 - 5 bar	n/a	CLAW3HBM2
EMPIRE							
3 hole basin mixer*	141	35 max	55	½" bsp	1 - 5 bar	350 max	EMP3HBM
3 hole swan neck mixer*	121	35	55	½" bsp	1 - 5 bar	350 max	EMPS3HBM
3 hole wall mounted mixer	180	n/a	n/a	22mm comp	1 - 5 bar	200mm	EMPW3HBM
Basin mono bloc mixer*	107	35	55	15mm tails	1 - 5 bar	n/a	EMPMONO
HUDSON							
Single lever mini basin mixer	89	35	20	½" bsp	3 - 5 bar	n/a	HUDMONOMINIBS
Single lever basin mixer	135	35	35	½" bsp	3 - 5 bar	n/a	HUDMONO110BS
Single lever basin mixer long spout	152	35	35	½" bsp	3 - 5 bar	n/a	HUDMONO140BS
Single lever tall basin mixer	152	35	35	½" bsp	3 - 5 bar	n/a	HUDMONOEXTNBS
Wall mounted basin mixer	225	n/a	n/a	½" bsp	3 - 5 bar	n/a	HUDWBASMIXBS
JAZZ							
Single lever basin mixer 200	200	35	60	10mm tails	3 - 5 bar	n/a	JAZMONO2002
Single lever basin mixer 165	165	35	60	10mm tails	3 - 5 bar	n/a	JAZMONO1652
3 hole basin mixer 200	200	35	35	10mm tails	3 - 5 bar	200 max	JAZ3HBM200
3 hole basin mixer 200 with waste*	200	35	35	10mm tails	3 - 5 bar	200 max	JAZ3HBM200+PUW2
3 hole basin mixer 165	165	35	35	10mm tails	3 - 5 bar	200 max	JAZ3HBM165
3 hole basin mixer 165 with waste*	165	35	35	10mm tails	3 - 5 bar	200 max	JAZ3HBM165+PUW2
Wall mounted 3 hole basin mixer 170	170	n/a	n/a	n/a	3 - 5 bar	n/a	JAZZ3HBM170
Wall mounted 3 hole basin mixer 240	240	n/a	n/a	n/a	3 - 5 bar	n/a	JAZZ3HBM240
Wall mounted single lever mixer 170	170	n/a	n/a	n/a	3 - 5 bar	n/a	JAZZWMONO170
Wall mounted single lever mixer 240	225 - 240	n/a	n/a	n/a	3 - 5 bar	n/a	JAZZWMONO240

*Pop up waste included.

Min/Max hole size - If the valve hole is a different size to the spout hole, the valve hole size is quoted first. (Avebury)

Check the reach of the tap spout into the bowl or basin suits your requirement. All measurements are available in the product information pack.

Basin tap technical specification chart	Reach of spout in mm	Min/Max hole diameter in mm	Maximum deck thickness in mm	Connection size	Recommended water pressure	Pipe centres in mm	Product code
JURA							
Single lever basin mixer	123	35	20	15mm tails	1 - 5 bar	n/a	JURBASINMIX
Tall single lever basin mixer	123	35	20	15mm tails	1 - 5 bar	n/a	JURTALLBASINMIX
Tall single lever basin mixer - ext	123	35	20	15mm tails	1 - 5 bar	n/a	JUREXTNBASMIX
Wall mounted basin filler	135	n/a	n/a	22mm comp	1 - 5 bar	200	JURWALLBASINFIL
LIBERTY							
Single lever basin mixer 125	125	35	65	10mm tails	3 - 5 bar	n/a	LIBMONO125
Single lever basin mixer 155	155	35	65	10mm tails	3 - 5 bar	n/a	LIBMONO155
Single lever basin mixer - ext	215	35	65	10mm tails	3 - 5 bar	n/a	LIBMONOEXT215
Wall mounted single lever basin mixer	200	n/a	n/a	½" bsp	3 - 5 bar	n/a	LIBERTYWMONO200
LOGIC							
Single lever basin mixer*	198	34 - 40	45	½" bsp	1 - 5 bar	n/a	LOGMONO
Basin mono mixer X head*	132	34 - 40	40	½" bsp	1 - 5 bar	n/a	LOGMONOX
3 hole basin mixer*	132	30 & 35	35	15mm comp	1 - 5 bar	200 max	LOG3HBM /X
3 hole wall mounted basin mixer	170	n/a	n/a	½" bsp	1 - 5 bar	200	LOGWALLSP /X
METRO							
Mini metro single lever	120	35 max	35	10mm tails	3 - 5 bar	n/a	MTAPLMINI
Single lever basin mixer*	172	35 max	50	10mm tails	3 - 5 bar	n/a	MTAPL
Single lever basin mixer (No waste)	172	35 max	50	10mm tails	3 - 5 bar	n/a	MTAPLNO-WASTE
Single lever basin mixer - ext*	200	35 max	50	10mm tails	3 - 5 bar	n/a	MTAPEXTL
Single lever basin mixer - ext (No waste)	200	35 max	50	10mm tails	3 - 5 bar	n/a	MTAPEXTLNO-WASTE
3 hole basin mixer*	165	25	35	10mm tails	3 - 5 bar	200	ME3HBML
3 hole wall mounted mixer	190	n/a	n/a	½" bsp	3 - 5 bar	n/a	METROWALLSPL
MADEMOISELLE							
Basin taps	85	20 - 30	30	½" bsp	1 - 5 bar	n/a	MADTAP
Monobloc basin mixer*	130	34 - 36	30	3/8" bsp	1 - 5 bar	n/a	MAD2MONO
3 hole basin mixer 130*	145	28 - 35	30	½" bsp	1 - 5 bar	300 max	MAD13HBM
3 hole basin mixer 230*	130	28 - 35	30	½" bsp	1 - 5 bar	300 max	MAD23HBM
Wall mounted 3 hole basin filler	200	n/a	n/a	¾" bsp	1 - 5 bar	n/a	MADW3HBM

*Pop up waste included.

Min/Max hole size - If the valve hole is a different size to the spout hole, the valve hole size is quoted first. (Logic)

Check the reach of the tap spout into bowl or basin suits your requirement. All measurements are available in the product information pack.

Tap Compatibility Charts for Basins, Bowls & Consoles.

Basin tap compatibility chart	Reach of spout in mm	Aphrodite – Cyprus & Kythera Bowls	Atlantic basin 3 TH Ped or Stand or Cabinet	Aegina- Crema Marfil Bowl	Alimia – Ccarrara Marble Bowl	Bastide Unit 800, 1170 & 1470mm 3 TH	Battersea cloakroom 2 TH With Pedestal or Washstand	Battersea cloakroom 3TH With Pedestal or Washstand	Battersea Basin 2 TH With Pedestal or Washstand	Battersea Basin 3 TH With Pedestal or Washstand
AVEBURY										
Basin taps	115	X	X	X	X	X	YES	X	YES	X
3 hole basin mixer*	141	X	YES	X	X	YES	X	YES	X	YES
Wall mounted vessel filler	163 - 195	YES	X	YES	YES	X	X	X	X	X
Deck mounted vessel filler	165	X	X	X	X	X	X	X	X	X
BALTIMORE										
3 hole basin mixer*	205	X	YES	X	X	YES	X	YES	X	YES
Wall mounted 3 hole basin mixer	225	YES	X	YES	YES	X	X	X	X	X
BASTIDE										
Single lever tap*	110	X	X	X	X	X	X	X	X	X
3 hole basin mixer*	143	X	YES	X	X	YES	X	YES	X	YES
3 hole wall mounted mixer	180	YES	X	YES	YES	X	X	X	X	X
CLASSIC										
Basin taps	80	X	X	X	X	X	YES	X	YES	X
3 hole basin mixer*	116	X	YES	X	X	X	X	YES	X	YES
3 hole basin mixer - ext*	141	X	YES	X	X	YES	X	YES	X	YES
Single hole mixer* (X head)	125	X	X	X	X	X	X	X	X	X
Monobloc mixer* (Lever)	105	X	X	X	X	X	X	X	X	X
3 hole wall mounted mixer	175	YES	X	YES	YES	X	X	X	X	X
EMPIRE										
3 hole basin mixer*	141	X	YES	X	X	YES	X	YES	X	YES
3 hole swan neck mixer*	121	X	YES	X	X	YES	X	YES	X	YES
3 hole wall mounted mixer	180	YES	X	YES	YES	X	X	X	X	X
Basin mono bloc mixer*	107	X	X	X	X	X	X	X	X	X
HUDSON										
Single lever mini basin mixer	89	X	X	X	X	X	X	X	X	X
Single lever basin mixer	135	X	X	X	X	X	X	X	X	X
Single lever basin mixer long spout	152	X	X	X	X	X	X	X	X	X
Single lever tall basin mixer	152	X	X	YES	YES	X	X	X	X	X
Wall mounted basin mixer	225	YES	X	YES	YES	X	X	X	X	X
JAZZ										
Single lever basin mixer 200	200	YES	X	YES	YES	X	X	X	X	X
Single lever basin mixer 165	165	YES	X	YES	YES	X	X	X	X	X
3 hole basin mixer 200	200	X	YES	X	X	YES	X	YES	X	YES
3 hole basin mixer 200 with waste*	200	X	YES	X	X	YES	X	YES	X	YES
3 hole basin mixer 165	165	X	YES	X	X	YES	X	YES	X	YES
3 hole basin mixer 165 with waste*	165	X	YES	X	X	YES	X	YES	X	YES
Wall mounted 3 hole basin mixer 170	170	YES	X	YES	YES	X	X	X	X	X
Wall mounted 3 hole basin mixer 240	240	YES	X	YES	YES	X	X	X	X	X
Wall mounted single lever basin mixer 170	170	YES	X	YES	YES	X	X	X	X	X
Wall mounted single lever basin mixer 240	225 - 240	YES	X	YES	YES	X	X	X	X	X

* Pop up waste included with tap

Basin tap compatibility chart	Reach of spout in mm	Aphrodite – Cyprus & Kythera Bowls	Atlantic basin 3 TH Ped or Stand or Cabinet	Aegina - Crema Marfil Bowl	Alimia – Carrara Marble Bowl	Bastide 800, 1170 & 1470mm 3 TH	Battersea cloakroom 2 TH With Pedestal or Washstand	Battersea cloakroom 3TH With Pedestal or Washstand	Battersea Basin 2 TH With Pedestal or Washstand	Battersea Basin 3 TH With Pedestal or Washstand
JURA										
Single lever basin mixer	123	X	X	X	X	X	X	X	X	X
Tall single lever basin mixer	123	X	X	YES	YES	X	X	X	X	X
Tall single lever basin mixer – ext	123	YES	X	YES	YES	X	X	X	X	X
Wall mounted basin filler	135	YES	X	YES	YES	X	X	X	X	X
LIBERTY										
Single lever basin mixer 125	125	X	X	X	X	X	X	X	X	X
Single lever basin mixer 155	155	X	X	X	X	X	X	X	X	X
Single lever basin mixer – ext	215	YES	X	YES	YES	X	X	X	X	X
Wall mounted single lever basin mixer	200	YES	X	YES	YES	X	X	X	X	X
LOGIC										
Single lever basin mixer*	198	X	X	X	X	X	X	X	X	X
Basin mono mixer X head*	132	X	X	X	X	X	X	X	X	X
3 hole basin mixer*	132	X	YES	X	X	X	X	YES	X	YES
3 hole wall mounted mixer	170	YES	X	YES	YES	X	X	X	X	X
METRO										
Mini metro single lever	120	X	X	X	X	X	X	X	X	X
Single lever basin mixer*	172	X	X	X	X	X	X	X	X	X
Single lever basin mixer	172	YES	X	YES	YES	X	X	X	X	X
Single lever basin mixer - ext*	200	X	X	X	X	X	X	X	X	X
Single lever basin mixer – ext	200	YES	X	YES	YES	X	X	X	X	X
3 hole basin mixer*	165	X	YES	X	X	X	X	YES	X	YES
3 hole wall mounted mixer	190	YES	X	X	X	X	X	X	X	X
MADMOISELLE										
Basin taps	85	X	X	X	X	X	YES	X	YES	X
Monobloc basin mixer*	130	X	X	X	X	X	X	X	X	X
3 hole basin mixer - 130*	145	X	YES	X	X	YES	X	YES	X	YES
3 hole basin mixer - 145*	130	X	YES	X	X	YES	X	YES	X	YES
Wall mounted 3 hole basin filler	200	YES	X	YES	YES	X	X	X	X	X

* Pop up waste included with tap.

Basin tap compatibility chart	Reach of spout in mm	Chicago Console 3 TH	Cloudsley small	Cloudsley medium	Cloudsley large	Eclipse small #	Eclipse large #
AVEBURY							
Basin taps	115	X	X	X	X	X	X
3 hole basin mixer*	141	YES	X	X	X	X	X
Wall mounted vessel filler	163 - 195	X	YES	YES	YES	YES	YES
Deck mounted vessel filler	165	X	X	YES	YES	YES	YES
BALTIMORE							
3 hole basin mixer*	205	YES	X	X	X	X	X
Wall mounted 3 hole basin mixer	225	X	YES	YES	YES	YES	YES
BASTIDE							
Single lever tap*	110	X	X	X	X	X	X
3 hole basin mixer*	143	YES	X	X	X	X	X
3 hole wall mounted mixer	180	X	YES	YES	YES	YES	YES
CLASSIC							
Basin taps	80	X	X	X	X	X	X
3 hole basin mixer*	116	YES	X	X	X	X	X
3 hole basin mixer - ext*	141	YES	X	X	X	X	X
Single hole mixer* (X head)	125	X	X	X	X	X	X
Monobloc mixer* (Lever)	105	X	X	X	X	X	X
3 hole wall mounted mixer	175	X	YES	YES	YES	YES	YES
EMPIRE							
3 hole basin mixer*	141	YES	X	X	X	X	X
3 hole swan neck mixer*	121	YES	X	X	X	X	X
3 hole wall mounted mixer	180	X	YES	YES	YES	YES	YES
Basin mono bloc mixer*	107	X	X	X	X	X	X
HUDSON							
Single lever mini basin mixer	89	X	X	X	X	X	X
Single lever basin mixer	125	X	X	X	X	X	X
Single lever basin mixer long spout	152	X	X	X	X	X	X
Single lever tall basin mixer	152	X	YES	X	X	YES	X
Wall mounted basin mixer	225	X	YES	YES	YES	YES	YES
JAZZ							
Single lever basin mixer 200	200	X	YES	YES	YES	X	X
Single lever basin mixer 165	165	X	X	X	X	X	X
3 hole basin mixer 200	200	YES	X	X	X	X	X
3 hole basin mixer 200 with waste*	200	YES	X	X	X	X	X
3 hole basin mixer 165	165	YES	X	X	X	X	X
3 hole basin mixer 165 with waste*	165	YES	X	X	X	X	X
Wall mounted 3 hole basin mixer 170	170	X	YES	YES	YES	YES	YES
Wall mounted 3 hole basin mixer 240	240	X	YES	YES	YES	YES	YES
Wall mounted single lever basin mixer 170	170	X	YES	YES	YES	YES	YES
Wall mounted single lever basin mixer 240	225 - 240	X	YES	YES	YES	YES	YES

*Pop up waste included with tap.

Waste included with basin.

Basin tap compatibility chart	Reach of spout in mm	Chicago Console 3 TH	Cloudsley small	Cloudsley medium	Cloudsley large	Eclipse small #	Eclipse large #	
JURA								
Single lever basin mixer	123	X	X	X	X	X	X	
Tall single lever basin mixer	123	X	X	X	X	YES	X	
Tall single lever basin mixer - ext	123	X	YES	YES	YES	YES	YES	
Wall mounted basin filler	135	X	YES	YES	YES	YES	YES	
LIBERTY								
Single lever basin mixer 125	125	X	X	X	X	X	X	
Single lever basin mixer 155	155	X	X	X	X	X	X	
Single lever basin mixer - ext	215	X	YES	YES	YES	YES	YES	
Wall mounted single lever basin mixer	200	X	YES	YES	YES	YES	YES	
LOGIC								
Single lever basin mixer*	198	X	X	X	X	X	X	
Basin mono mixer cross head*	132	X	X	X	X	X	X	
3 hole basin mixer*	132	X	X	X	X	X	X	
3 hole wall mounted mixer	170	X	YES	YES	YES	YES	YES	
METRO								
Mini metro single lever	120	X	X	X	X	X	X	
Single lever basin mixer*	172	X	X	X	X	X	X	
Single lever basin mixer	172	X	YES	YES	YES	YES	YES	
Single lever basin mixer - ext*	200	X	X	X	X	X	X	
Single lever basin mixer - ext	200	X	YES	YES	YES	YES	YES	
3 hole basin mixer*	165	YES	X	X	X	X	X	
3 hole wall mounted mixer	190	X	YES	YES	YES	YES	YES	
MADEMOISELLE								
Basin taps	85	X	X	X	X	X	X	
Monobloc basin mixer*	130	X	X	X	X	X	X	
3 hole basin mixer - 130*	145	YES	X	X	X	X	X	
3 hole basin mixer - 145*	130	YES	X	X	X	X	X	
Wall mounted 3 hole basin filler	200	X	YES	YES	YES	YES	YES	

* Pop up waste included with tap.

Waste included with basin

Basin tap compatibility chart	Reach of spout in mm	Florence 1 TH (60 & 80 cm)	Fitzrovia 1 TH	Fitzrovia 2 TH	Fitzrovia 2 TH Cloak Room	Geo rectangle #	Geo round #	Geo square #	Hydrea- Carrara Marble Bowl
AVEBURY									
Basin taps	115	X	X	YES	YES	X	X	X	X
3 hole basin mixer*	141	X	X	X	X	X	X	X	X
Wall mounted vessel filler	163 - 195	X	X	X	X	YES	YES	YES	YES
Deck mounted vessel filler	165	X	X	X	X	YES	YES	YES	X
BALTIMORE									
3 hole basin mixer*	205	X	X	X	X	X	X	X	X
Wall mounted 3 hole basin mixer	225	X	X	X	X	YES	YES	YES	YES
BASTIDE									
Single lever tap*	110	YES	YES	X	X	X	X	X	X
3 hole basin mixer*	143	X	X	X	X	X	X	X	X
3 hole wall mounted mixer	180	X	X	X	X	YES	YES	YES	YES
CLASSIC									
Basin taps	80	X	X	YES	YES	X	X	X	X
3 hole basin mixer*	116	X	X	X	X	X	X	X	X
3 hole basin mixer - ext*	141	X	X	X	X	X	X	X	X
Single hole mixer* (X head)	125	YES	YES	X	X	X	X	X	X
Monobloc mixer* (Lever)	105	YES	YES	X	X	X	X	X	X
3 hole wall mounted mixer	175	X	X	X	X	YES	YES	YES	YES
EMPIRE									
3 hole basin mixer*	141	X	X	X	X	X	X	X	X
3 hole swan neck mixer*	121	X	X	X	X	X	X	X	X
3 hole wall mounted mixer	180	X	X	X	X	YES	YES	YES	YES
Basin mono bloc mixer*	107	YES	YES	X	X	X	X	X	X
HUDSON									
Single lever mini basin mixer	89	X	YES	X	X	X	X	X	X
Single lever basin mixer	135	YES	YES	X	X	X	X	X	X
Single lever basin mixer long spout	152	YES	YES	X	X	X	X	X	X
Single lever tall basin mixer	152	X	X	X	X	YES	YES	YES	YES
Wall mounted basin mixer	225	X	X	X	X	YES	YES	YES	YES
JAZZ									
Single lever basin mixer 200	200	X	X	X	X	X	X	X	YES
Single lever basin mixer 165	165	YES	YES	X	X	X	X	X	YES
3 hole basin mixer 200	200	X	X	X	X	X	X	X	X
3 hole basin mixer 200 with waste*	200	X	X	X	X	X	X	X	X
3 hole basin mixer 165	165	X	X	X	X	X	X	X	X
3 hole basin mixer 165 with waste*	165	X	X	X	X	X	X	X	X
Wall mounted 3 hole basin mixer 170	170	X	X	X	X	YES	YES	YES	YES
Wall mounted 3 hole basin mixer 240	240	X	X	X	X	YES	YES	YES	YES
Wall mounted single lever basin mixer 170*	170	X	X	X	X	YES	YES	YES	YES
Wall mounted single lever basin mixer 240	225 - 240	X	X	X	X	YES	YES	YES	YES

* Pop up waste included with tap.

Waste included with basin.

Basin tap compatibility chart	Reach of spout in mm	Florence 1 TH (60 & 80 cm)	Fitzrovia 1 TH	Fitzrovia 2 TH	Fitzrovia 2 TH Cloak Room	Geo rectangle #	Geo round #	Geo square #	Hydrea- Carrara Marble Bowl
JURA									
Single lever basin mixer	123	YES	YES	X	X	X	X	X	X
Tall single lever basin mixer	123	YES	X	X	X	YES	YES	YES	YES
Tall single lever basin mixer - ext	123	X	X	X	X	YES	YES	YES	YES
Wall mounted basin filler	135	X	X	X	X	YES	YES	YES	YES
LIBERTY									
Single lever basin mixer 125	125	YES	YES	X	X	X	X	X	X
Single lever basin mixer 155	155	YES	YES	X	X	X	X	X	X
Single lever basin mixer - ext	215	X	X	X	X	YES	YES	YES	YES
Wall mounted single lever basin mixer	200	X	X	X	X	YES	YES	YES	YES
LOGIC									
Single lever basin mixer*	198	YES	YES	X	X	X	X	X	X
Basin mono mixer X head*	132	YES	YES	X	X	X	X	X	X
3 hole basin mixer*	132	X	X	X	X	X	X	X	X
3 hole wall mounted mixer	170	X	X	X	X	YES	YES	YES	YES
METRO									
Mini metro single lever	120	YES	YES	X	X	X	X	X	X
Single lever basin mixer*	172	YES	YES	X	X	X	X	X	X
Single lever basin mixer	172	YES	YES	X	X	YES	YES	YES	YES
Single lever basin mixer - ext*	200	X	X	X	X	X	X	X	X
Single lever basin mixer - ext	200	X	X	X	X	YES	YES	YES	YES
3 hole basin mixer*	165	X	X	X	X	X	X	X	X
3 hole wall mounted mixer	190	X	X	X	X	YES	YES	YES	YES
MADEMOISELLE									
Basin taps	85	X	X	YES	YES	X	X	X	X
Monobloc basin mixer*	130	YES	YES	X	X	X	X	X	X
3 hole basin mixer - 130*	145	X	X	X	X	X	X	X	X
3 hole basin mixer - 145*	130	X	X	X	X	X	X	X	X
Wall mounted 3 hole basin filler	200	X	X	X	X	YES	YES	YES	YES

* Pop up waste included with tap.

Waste included with basin

Basin tap compatibility chart	Reach of spout in mm	Jessica stone console 1 TH	Jessica stone console 3 TH	Kensington Basin 2 TH With Pedestal or Washstand	Kensington Basin 3 TH With Pedestal or Washstand	Kensington Cloak Room Basin 2 TH	Kensington Cloak Room Basin 3 TH	Kyoto- Limestone Resin Bowl	Leros- Crema Marfil Bowl
AVEBURY									
Basin taps	115	X	X	YES	X	YES	X	X	X
3 hole basin mixer*	141	X	YES	X	YES	X	YES	X	X
Wall mounted vessel filler	163 - 195	X	X	X	X	X	X	YES	YES
Deck mounted vessel filler	165	X	X	X	X	X	X	X	X
BALTIMORE									
3 hole basin mixer*	205	X	YES	X	YES	X	X	X	X
Wall mounted 3 hole basin mixer	225	X	X	X	X	X	X	YES	YES
BASTIDE									
Single lever tap*	110	YES	X	X	X	X	X	X	X
3 hole basin mixer*	143	X	YES	X	YES	X	X	X	X
3 hole wall mounted mixer	180	X	X	X	X	X	X	YES	YES
CLASSIC									
Basin taps	80	X	X	YES	X	YES	X	X	X
3 hole basin mixer*	116	X	YES	X	YES	X	YES	X	X
3 hole basin mixer - ext*	141	X	YES	X	YES	X	YES	X	X
Single hole mixer* X head	125	YES	X	X	X	X	X	X	X
Monobloc mixer* Lever	105	X	X	X	X	X	X	X	X
3 hole wall mounted mixer	175	X	X	X	X	X	X	YES	YES
EMPIRE									
3 hole basin mixer*	141	X	YES	X	YES	X	YES	X	X
3 hole swan neck mixer*	121	X	YES	X	YES	X	X	X	X
3 hole wall mounted mixer	180	X	X	X	X	X	X	YES	YES
Basin mono bloc mixer*	107	YES	X	X	X	X	X	X	X
HUDSON									
Single lever mini basin mixer	89	X	X	X	X	X	X	X	X
Single lever basin mixer	135	YES	X	X	X	X	X	X	X
Single lever basin mixer long spout	152	YES	X	X	X	X	X	X	X
Single lever tall basin mixer	152	X	X	X	X	X	X	YES	YES
Wall mounted basin mixer	225	X	X	X	X	X	X	YES	YES
JAZZ									
Single lever basin mixer 200	200	YES	X	X	X	X	X	X	YES
Single lever basin mixer 165	165	YES	X	X	X	X	X	X	YES
3 hole basin mixer 200	200	X	YES	X	X	X	X	X	X
3 hole basin mixer 200 with waste*	200	X	YES	X	X	X	X	X	X
3 hole basin mixer 165	165	X	YES	X	YES	X	X	X	X
3 hole basin mixer 165 with waste*	165	X	YES	X	YES	X	X	X	X
Wall mounted 3 hole basin mixer 170	170	X	X	X	X	X	X	YES	YES
Wall mounted 3 hole basin mixer 240	240	X	X	X	X	X	X	YES	YES
Wall mounted single lever basin mixer 170	170	X	X	X	X	X	X	YES	YES
Wall mounted single lever basin mixer 240	225 - 240	X	X	X	X	X	X	YES	YES

*Pop up waste included with tap.

** Provided the extra tap holes are drilled on site by the installer.

Waste included with basin.

Basin tap compatibility chart	Reach of spout in mm	Jessica stone console 1 TH	Jessica stone console 3 TH	Kensington Basin 2 TH With Pedestal or Washstand	Kensington Basin 3 TH With Pedestal or Washstand	Kensington Cloak Room Basin 2 TH	Kensington Cloak Room Basin 3 TH	Kyoto – Limestone Resin Bowl	Leros- Crema Marfil Bowl
JURA									
Single lever basin mixer	123	YES	X	X	X	X	X	X	X
Tall single lever basin mixer	123	YES	X	X	X	X	X	X	YES
Tall single lever basin mixer – ext	123	X	X	X	X	X	X	YES	YES
Wall mounted basin filler	135	X	X	X	X	X	X	YES	YES
LIBERTY									
Single lever basin mixer 125	125	YES	X	X	X	X	X	X	X
Single lever basin mixer 155	155	YES	X	X	X	X	X	X	X
Single lever basin mixer - ext	215	X	X	X	X	X	X	YES	YES
Wall mounted single lever basin mixer	200	X	X	X	X	X	X	YES	YES
LOGIC									
Single lever basin mixer*	198	YES	X	X	X	X	X	X	X
Basin mono mixer X head*	132	YES	X	X	X	X	X	X	X
3 hole basin mixer*	132	X	X	X	YES	X	YES	X	X
3 hole wall mounted mixer	170	X	X	X	X	X	X	YES	YES
METRO									
Mini metro single lever	120	YES	X	X	X	X	X	X	X
Single lever basin mixer*	172	YES	X	X	X	X	X	X	X
Single lever basin mixer	172	YES	X	X	X	X	X	YES	YES
Single lever basin mixer - ext*	200	X	X	X	X	X	X	X	X
Single lever basin mixer - ext	200	X	X	X	X	X	X	YES	YES
3 hole basin mixer*	165	X	YES	X	YES	X	X	X	X
3 hole wall mounted mixer	190	X	X	X	X	X	X	YES	YES
MADMOISELLE									
Basin taps	85	X	X	YES	X	YES	X	X	X
Monobloc basin mixer*	130	YES	X	X	X	X	X	X	X
3 hole basin mixer 130*	145	X	YES	X	YES	X	YES	X	X
3 hole basin mixer 145*	130	X	YES	X	YES	X	YES	X	X
Wall mounted 3 hole basin filler	200	X	X	X	X	X	X	YES	YES

* Pop up waste included with tap.

** Provided the extra tap holes are drilled on site by the installer.

Waste included with basin

Basin tap compatibility chart	Reach of spout in mm	La Dolce Vita Cabinet 0 TH #	La Dolce Vita Cabinet 1 TH #	Lonsdale Large: Rectangle, Square & Double 0 TH	Lonsdale Large: Rectangle, Square & Double 1 TH	Lonsdale Small Square 0 TH	Lonsdale Small Square 1TH	Lonsdale Small Rectangle 0 TH	Lonsdale Small Rectangle 1 TH
AVEBURY									
Basin taps	115	X	X	X	X	X	X	X	X
3 hole basin mixer*	141	X	X	X	X	X	X	X	X
Wall mounted vessel filler	163 - 195	YES	X	X	X	YES	X	X	X
Deck mounted vessel filler	165	X	X	X	X	X	X	X	X
BALTIMORE									
3 hole basin mixer*	205	X	X	X	X	X	X	X	X
Wall mounted 3 hole basin mixer	225	YES	X	YES	X	X	X	X	X
BASTIDE									
Single lever tap*	110	X	X	X	YES	X	X	X	X
3 hole basin mixer*	143	X	X	X	X	X	X	X	X
3 hole wall mounted mixer	180	YES	X	X	X	YES	X	X	X
CLASSIC									
Basin taps	80	X	X	X	X	X	X	X	X
3 hole basin mixer*	116	X	X	X	X	X	X	X	X
3 hole basin mixer - ext*	141	X	X	X	X	X	X	X	X
Single hole mixer* X head	125	X	X	X	YES	X	X	X	X
Monobloc mixer* Lever	105	X	X	X	X	X	X	X	X
3 hole wall mounted mixer	175	X	X	X	X	YES	X	X	X
EMPIRE									
3 hole basin mixer*	141	X	X	X	X	X	X	X	X
3 hole swan neck mixer*	121	X	X	X	X	X	X	X	X
3 hole wall mounted mixer	180	YES	X	X	X	YES	X	X	X
Basin mono bloc mixer*	107	X	X	X	YES	X	X	X	X
HUDSON									
Single lever mini basin mixer	89	X	YES	X	X	X	X	X	YES
Single lever basin mixer	135	X	YES	X	YES	X	YES	X	X
Single lever basin mixer long spout	152	X	YES	X	YES	X	YES	X	X
Single lever tall basin mixer	152	X	YES	X	X	X	X	X	X
Wall mounted basin mixer	225	YES	X	YES	X	X	X	X	X
JAZZ									
Single lever basin mixer 200	200	X	YES	X	YES	X	X	X	X
Single lever basin mixer 165	165	X	YES	X	YES	X	YES	X	X
3 hole basin mixer 200	200	X	X	X	X	X	X	X	X
3 hole basin mixer 200 with waste*	200	X	X	X	X	X	X	X	X
3 hole basin mixer 165	165	X	X	X	X	X	X	X	X
3 hole basin mixer 165 with waste*	165	X	X	X	X	X	X	X	X
Wall mounted 3 hole basin mixer 170	170	YES	X	X	X	YES	X	YES	X
Wall mounted 3 hole basin mixer 240	240	YES	X	YES	X	X	X	X	X
Wall mounted single lever basin mixer 170	170	YES	X	X	X	YES	X	YES	X
Wall mounted single lever basin mixer 240	225 - 240	YES	X	YES	X	X	X	X	X

*Pop up waste included with tap.

** Provided the extra tap holes are drilled on site by the installer.

Waste included with basin.

Basin tap compatibility chart	Reach of spout in mm	La Dolce Vita Cabinet 0 TH #	La Dolce Vita Cabinet 1 TH #	Lonsdale Large Rectangle, Square & Double 0 TH	Lonsdale Large Rectangle, Square & Double 1 TH	Lonsdale Small Square 0 TH	Lonsdale Small Square 1TH	Lonsdale Small Rectangle 0 TH	Lonsdale Small Rectangle 1 TH
JURA									
Single lever basin mixer	123	X	YES	X	YES	X	YES	X	YES
Tall single lever basin mixer	123	X	YES	X	YES	X	YES	X	X
Tall single lever basin mixer – ext	123	X	X	X	X	X	X	X	X
Wall mounted basin filler	135	YES	X	X	X	X	X	YES	X
LIBERTY									
Single lever basin mixer 125	125	X	YES	X	YES	X	YES	X	YES
Single lever basin mixer 155	155	X	YES	X	YES	X	YES	X	X
Single lever basin mixer - ext	215	X	X	X	YES	X	X	X	X
Wall mounted single lever basin mixer	200	YES	X	YES	X	YES	X	X	X
LOGIC									
Single lever basin mixer*	198	X	X	X	YES	X	X	X	X
Basin mono mixer X head*	132	X	X	X	YES	X	X	X	X
3 hole basin mixer*	132	X	X	X	X	X	X	X	X
3 hole wall mounted mixer	170	YES	X	X	X	YES	X	YES	X
METRO									
Mini metro single lever	120	X	YES	X	YES	X	YES	X	X
Single lever basin mixer*	172	X	X	X	YES	X	X	X	X
Single lever basin mixer	172	X	YES	X	YES	X	YES	X	X
Single lever basin mixer - ext*	200	X	X	X	X	X	X	X	X
Single lever basin mixer - ext	200	X	X	X	X	X	X	X	X
3 hole basin mixer*	165	X	X	X	X	X	X	X	X
3 hole wall mounted mixer	190	YES	X	X	X	YES	X	X	X
MADEMOISELLE									
Basin taps	85	X	X	X	X	X	X	X	X
Monobloc basin mixer*	130	X	X	X	YES	X	X	X	X
3 hole basin mixer 130*	145	X	X	X	X	X	X	X	X
3 hole basin mixer 145*	130	X	X	X	X	X	X	X	X
Wall mounted 3 hole basin filler	200	YES	X	YES	X	YES	X	X	X

* Pop up waste included with tap.

** Provided the extra tap holes are drilled on site by the installer.

Waste included with basin

Basin tap compatibility chart	Reach of spout in mm	Lugano Cloak Room Cabinet 1 TH	Lugano Cabinet 1 TH	Maggiore Cabinet 1TH #	Maida Vale bowls	Maida Vale wall hung basin 0 TH	Maida Vale wall hung basin 1TH	Maida Vale wall hung basin 3 TH	Maida Vale wall hung cloakroom basin 0 TH	Maida Vale wall hung cloakroom basin 1 TH
AVEBURY										
Basin taps	115	X	X	X	X	X	X	X	X	X
3 hole basin mixer*	141	X	YES**	X	X	X	X	YES	X	X
Wall mounted vessel filler	163 - 195	X	X	X	YES	YES	X	X	X	X
Deck mounted vessel filler	165	X	X	X	YES	X	X	X	X	X
BALTIMORE										
3 hole basin mixer*	205	X	YES**	X	X	X	X	YES	X	X
Wall mounted 3 hole basin mixer	225	X	X	X	YES	YES	X	X	X	X
BASTIDE										
Single lever tap*	110	X	YES	X	X	X	YES	X	X	YES
3 hole basin mixer*	143	X	YES**	X	X	X	X	YES	X	X
3 hole wall mounted mixer	180	X	X	X	YES	YES	X	X	X	X
CLASSIC										
Basin taps	80	X	X	X	X	X	X	X	X	X
3 hole basin mixer*	116	X	YES**	X	X	X	X	X	X	X
3 hole basin mixer - ext*	141	X	YES**	X	X	X	X	YES	X	X
Single hole mixer* X head	125	X	YES	X	X	X	YES	X	X	X
Monobloc mixer* Lever	105	X	YES	X	X	X	X	X	X	X
3 hole wall mounted mixer	175	X	X	X	YES	YES	X	X	X	X
EMPIRE										
3 hole basin mixer*	141	X	YES**	X	X	X	X	YES	X	X
3 hole swan neck mixer*	121	X	YES**	X	X	X	X	YES	X	X
3 hole wall mounted mixer	180	X	X	X	YES	YES	X	X	YES	X
Basin mono bloc mixer*	107	X	YES	X	X	X	YES	X	X	X
HUDSON										
Single lever mini basin mixer	89	YES	YES	YES	X	X	X	X	X	X
Single lever basin mixer	135	YES	YES	YES	X	X	YES	X	X	YES
Single lever basin mixer long spout	152	YES	YES	YES	X	X	YES	X	X	YES
Single lever tall basin mixer	152	X	X	X	YES	X	X	X	X	X
Wall mounted basin mixer	225	X	X	X	YES	YES	X	X	X	X
JAZZ										
Single lever basin mixer 200	200	X	YES	YES	X	X	YES	X	X	X
Single lever basin mixer 165	165	X	YES	YES	X	X	YES	X	X	YES~
3 hole basin mixer 200	200	X	YES**	YES**	X	X	X	YES	X	X
3 hole basin mixer 200 with waste*	200	X	YES**	X	X	X	X	YES	X	X
3 hole basin mixer 165	165	X	YES**	YES**	X	X	X	YES	X	X
3 hole basin mixer 165 with waste*	165	X	YES**	X	X	X	X	YES	X	X
Wall mounted 3 hole basin mixer 170	170	X	X	X	YES	YES	X	X	YES	X
Wall mounted 3 hole basin mixer 240	240	X	X	X	YES	YES	X	X	YES	X
Wall mounted single lever basin mixer 170	170	X	X	X	YES	YES	X	X	YES	X
Wall mounted single lever basin mixer 240	225 - 240	X	X	X	YES	YES	X	X	X	X

*Pop up waste included with tap.

** Provided the extra tap holes are drilled on site by the installer.

Waste included with basin.

~ Basin with Right hand tap hole only.

Basin tap compatibility chart	Reach of spout in mm	Lugano Cloak Room Cabinet 1 TH	Lugano Cabinet 1 TH	Maggiore Cabinet 1 TH #	Maida Vale bowls	Maida Vale wall hung basin 0 TH	Maida Vale wall hung basin 1 TH	Maida Vale wall hung basin 3 TH	Maida Vale wall hung cloakroom basin 0 TH	Maida Vale wall hung cloakroom basin 1 TH
JURA										
Single lever basin mixer	123	YES	YES	YES	X	X	YES	X	X	YES
Tall single lever basin mixer	123	X	YES	X	X	X	X	X	X	X
Tall single lever basin mixer – ext	123	X	X	X	YES	X	X	X	X	X
Wall mounted basin filler	135	X	X	X	YES	YES	X	X	YES	X
LIBERTY										
Single lever basin mixer 125	125	YES	YES	YES	X	X	YES	X	X	YES~
Single lever basin mixer 155	155	X	YES	YES	X	X	YES	X	X	X
Single lever basin mixer - ext	215	X	X	X	YES	X	X	X	X	X
Wall mounted single lever basin mixer	200	X	X	X	YES	YES	X	X	X	X
LOGIC										
Single lever basin mixer*	198	X	YES	X	X	X	YES	X	X	X
Basin mono mixer X head*	132	X	YES	X	X	X	YES	X	X	X
3 hole basin mixer*	132	X	YES**	X	X	X	X	YES	X	X
3 hole wall mounted mixer	170	X	X	X	YES	YES	X	X	YES	X
METRO										
Mini metro single lever	120	YES	YES	YES	X	X	YES	X	X	YES~
Single lever basin mixer*	172	X	YES	X	X	X	YES	X	X	X
Single lever basin mixer	172	X	YES	YES	YES	X	YES	X	X	X
Single lever basin mixer - ext*	200	X	X	X	X	X	X	X	X	X
Single lever basin mixer - ext	200	X	X	X	YES	X	X	X	X	X
3 hole basin mixer*	165	X	YES**	X	X	X	X	YES	X	X
3 hole wall mounted mixer	190	X	X	X	YES	YES	X	X	YES	X
MADemoiselle										
Basin taps	85	X	X	X	X	X	X	X	X	X
Monobloc basin mixer*	130	X	YES	X	X	X	YES	X	X	X
3 hole basin mixer 130*	145	X	YES**	X	X	X	X	YES	X	X
3 hole basin mixer 145*	130	X	YES**	X	X	X	X	YES	X	X
Wall mounted 3 hole basin filler	200	X	X	X	YES	YES	X	X	X	X

* Pop up waste included with tap.

** Provided the extra tap holes are drilled on site by the installer.

Waste included with basin

~ Basin with Right hand tap hole only.

Basin tap compatibility chart	Reach of spout in mm	Manhattan Cloakroom Basin 2 TH	Manhattan Cloakroom Basin 3 TH	Manhattan Basin & washstand 3TH	Nagoya – Limestone Resin Bowl	New Orleans Console 3 TH	Osaka – Limestone Resin Bowl	
AVEBURY								
Basin taps	115	YES	X	X	X	X	X	
3 hole basin mixer*	141	X	YES	YES	X	YES	X	
Wall mounted vessel filler	163-195	X	X	X	YES	X	YES	
Deck mounted vessel filler	165	X	X	X	X	X	X	
BALTIMORE								
3 hole basin mixer*	205	X	X	YES	X	YES	X	
Wall mounted 3 hole basin mixer	225	X	X	X	YES	X	YES	
BASTIDE								
Single lever tap*	110	X	X	X	X	X	X	
3 hole basin mixer*	143	X	X	YES	X	YES	X	
3 hole wall mounted mixer	180	X	X	X	YES	X	YES	
CLASSIC								
Basin taps	80	YES	X	X	X	X	X	
3 hole basin mixer*	116	X	YES	X	X	YES	X	
3 hole basin mixer - ext*	141	X	YES	YES	X	YES	X	
Single hole mixer* X head	125	X	X	X	X	X	X	
Monobloc mixer* Lever	105	X	X	X	X	X	X	
3 hole wall mounted mixer	175	X	X	X	YES	X	YES	
EMPIRE								
3 hole basin mixer*	141	X	YES	YES	X	YES	X	
3 hole swan neck mixer*	121	X	X	YES	X	YES	X	
3 hole wall mounted mixer	180	X	X	X	YES	X	YES	
Basin mono bloc mixer*	107	X	X	X	X	X	X	
HUDSON								
Single lever mini basin mixer	89	X	X	X	X	X	X	
Single lever basin mixer	135	X	X	X	X	X	X	
Single lever basin mixer long spout	152	X	X	X	X	X	X	
Single lever tall basin mixer	152	X	X	X	YES	X	YES	
Wall mounted basin mixer	225	X	X	X	YES	X	YES	
JAZZ								
Single lever basin mixer 200	200	X	X	X	X	X	X	
Single lever basin mixer 165	165	X	X	X	X	X	X	
3 hole basin mixer 200	200	X	X	YES	X	YES	X	
3 hole basin mixer 200 with waste*	200	X	X	YES	X	YES	X	
3 hole basin mixer 165	165	X	X	YES	X	YES	X	
3 hole basin mixer 165 with waste*	165	X	X	YES	X	YES	X	
Wall mounted 3 hole basin mixer 170	170	X	X	X	YES	X	YES	
Wall mounted 3 hole basin mixer 240	240	X	X	X	YES	X	YES	
Wall mounted single lever basin mixer 170	170	X	X	X	YES	X	YES	
Wall mounted single lever basin mixer 240	225-240	X	X	X	YES	X	YES	

* Pop up waste included with tap.

Basin tap compatibility chart	Reach of spout in mm	Manhattan Cloakroom Basin 2 TH	Manhattan Cloakroom Basin 3 TH	Manhattan Basin & Washstand 3TH	Nagoya – Limestone Resin Bowl	New Orleans Console 3 TH	Osaka – Limestone Resin Bowl	
JURA								
Single lever basin mixer	123	X	X	X	X	X	X	
Tall single lever basin mixer	123	X	X	X	X	X	X	
Tall single lever basin mixer - ext	123	X	X	X	YES	X	YES	
Wall mounted basin filler	135	X	X	X	YES	X	YES	
LIBERTY								
Single lever basin mixer 125	125	X	X	X	X	X	X	
Single lever basin mixer 155	155	X	X	X	X	X	X	
Single lever basin mixer - ext	215	X	X	X	YES	X	YES	
Wall mounted single lever basin mixer	200	X	X	X	YES	X	YES	
LOGIC								
Single lever basin mixer*	198	X	X	X	X	X	X	
Basin mono mixer X head*	132	X	X	X	X	X	X	
3 hole basin mixer*	132	X	YES	YES	X	X	X	
3 hole wall mounted mixer	170	X	X	X	YES	X	YES	
METRO								
Mini metro single lever	120	X	X	X	X	X	X	
Single lever basin mixer*	172	X	X	X	X	X	X	
Single lever basin mixer	172	X	X	X	YES	X	YES	
Single lever basin mixer - ext *	200	X	X	X	X	X	X	
Single lever basin mixer-ext	200	X	X	X	YES	X	YES	
3 hole basin mixer*	165	X	X	YES	X	YES	X	
3 hole wall mounted mixer	190	X	X	X	YES	X	YES	
MADEMOISELLE								
Basin taps	85	YES	X	X	X	X	X	
Monobloc basin mixer*	130	X	X	X	X	X	X	
3 hole basin mixer 130*	145	X	YES	YES	X	YES	X	
3 hole basin mixer 145*	130	X	YES	YES	X	YES	X	
Wall mounted 3 hole basin filler	200	X	X	X	YES	X	YES	

*Pop up waste included with tap.

Basin tap compatibility chart	Reach of spout in mm	Seattle stone console 1TH	Seattle stone console 3TH	Versailles basin & pedestal small/large 3TH	Versailles console small/large 3TH	Vermont Unit	Whitechapel Basin 0TH #
AVEBURY							
Basin taps	115	X	X	X	X	X	YES**
3 hole basin mixer*	141	X	YES	YES	YES	YES	X
Wall mounted vessel filler	163 - 195	X	X	X	X	X	YES
Deck mounted vessel filler	165	X	X	X	X	X	X
BALTIMORE							
3 hole basin mixer*	205	X	YES	YES	YES	YES	X
Wall mounted 3 hole basin mixer	225	X	X	X	X	X	YES
BASTIDE							
Single lever tap*	110	YES	X	X	X	X	X
3 hole basin mixer*	143	X	YES	YES	YES	YES	X
3 hole wall mounted mixer	180	X	X	X	X	X	YES
CLASSIC							
Basin taps	80	X	X	X	X	X	X
3 hole basin mixer*	116	X	X	YES	YES	X	X
3 hole basin mixer - ext*	141	X	YES	YES	YES	YES	X
Single hole mixer* X head	125	YES	X	X	X	X	X
Monobloc mixer* Lever	105	X	X	X	X	X	X
3 hole wall mounted mixer	175	X	X	X	X	X	YES
EMPIRE							
3 hole basin mixer*	141	X	YES	YES	YES	YES	X
3 hole swan neck mixer*	121	X	YES	YES	YES	YES	X
3 hole wall mounted mixer	180	X	X	X	X	X	YES
Basin mono bloc mixer*	107	YES	X	X	X	X	X
HUDSON							
Single lever mini basin mixer	89	X	X	X	X	X	YES**
Single lever basin mixer	125	YES	X	X	X	X	YES**
Single lever basin mixer long spout	152	YES	X	X	X	X	YES**
Single lever tall basin mixer	152	X	X	X	X	X	X
Wall mounted basin mixer	225	X	X	X	X	X	YES
JAZZ							
Single lever basin mixer 200	200	YES	X	X	X	X	YES**
Single lever basin mixer 165	165	YES	X	X	X	X	YES**
3 hole basin mixer 200	200	X	YES	YES	YES	YES	YES**
3 hole basin mixer 200 with waste*	200	X	YES	YES	YES	YES	X
3 hole basin mixer 165	165	X	YES	YES	YES	YES	YES**
3 hole basin mixer 165 with waste*	165	X	YES	YES	YES	YES	X
Wall mounted 3 hole basin mixer 170	170	X	X	X	X	X	YES
Wall mounted 3 hole basin mixer 240	240	X	X	X	X	X	YES
Wall mounted single lever basin mixer 170	170	X	X	X	X	X	YES
Wall mounted single lever basin mixer 240	225 - 240	X	X	X	X	X	YES

*Pop up waste included with tap.

** Provided the tap holes are drilled on site by the installer.

Waste included with basin.

Basin tap compatibility chart	Reach of spout in mm	Seattle stone console 1TH	Seattle stone console 3TH	Versailles basin & pedestal small/large 3TH	Versailles console small/large 3TH	Vermont Unit	Whitechapel Basin 0 TH #
JURA							
Single lever basin mixer	123	YES	X	X	X	X	YES**
Tall single lever basin mixer	123	YES	X	X	X	X	YES**
Tall single lever basin mixer - ext	123	X	X	X	X	X	X
Wall mounted basin filler	135	X	X	X	X	X	X
LIBERTY							
Single lever basin mixer 125	125	YES	X	X	X	X	YES**
Single lever basin mixer 155	155	YES	X	X	X	X	YES**
Single lever basin mixer - ext	215	X	X	X	X	X	X
Wall mounted single lever basin mixer	200	X	X	X	X	X	YES
LOGIC							
Single lever basin mixer*	198	YES	X	X	X	X	X
Basin mono mixer X head*	132	YES	X	X	X	X	YES
3 hole basin mixer*	132	X	X	X	YES	YES	X
3 hole wall mounted mixer	170	X	X	X	X	X	YES
METRO							
Mini metro single lever	120	YES	X	X	X	X	YES**
Single lever basin mixer*	172	YES	X	X	X	X	X
Single lever basin mixer	172	YES	X	X	X	X	YES**
Single lever basin mixer - ext*	200	X	X	X	X	X	X
Single lever basin mixer - ext	200	X	X	X	X	X	X
3 hole basin mixer*	165	X	YES	YES	YES	YES	X
3 hole wall mounted mixer	190	X	X	X	X	X	YES
MADMOISELLE							
Basin taps	85	X	X	X	X	X	X
Monobloc basin mixer*	130	YES	X	X	X	X	X
3 hole basin mixer 130*	145	X	YES	YES	YES	YES	X
3 hole basin mixer 145*	130	X	YES	YES	YES	YES	X
Wall mounted 3 hole basin filler	200	X	X	X	X	X	YES

*Pop up waste included with tap.

** Provided the tap holes are drilled on site by the installer.

Waste included with basin

Basin, Bowl and Consoles - Waste Compatibility Charts.

Basin, bowl and washstand waste compatibility	Number of tap holes	Overflow	Suggested waste	Suggested exposed trap
BASIN - BOWL – CONSOLE				
Aphrodite – Cyprus & Kythera Bowls	0	NO	2	BTRAPCP2, UTRAP4 or BTRAPSQCP2
Atlantic basin & cabinet Atlantic basin & pedestal	3	YES	1 or 5	Trap concealed
Atlantic basin & washstand.	3	YES	1 or 5	BTRAPCP2, UTRAP4 or BTRAPSQCP2
Aegina - Crema Marfil Bowl	0	NO	2	BTRAPCP2, UTRAP4 or BTRAPSQCP2
Alimia - Carrara Marble Bowl	0	NO	2	BTRAPCP2, UTRAP4 or BTRAPSQCP2
Bastide washstand 800, 1170 & 1470	3	YES	1 or 5	Trap concealed
Battersea basin & pedestal. Battersea Cloakroom basin & pedestal	2	YES	4	Trap concealed
Battersea basin & washstand. Battersea cloakroom basin & washstand	2	YES	4	BTRAPCP2, UTRAP4 or BTRAPSQCP2
Battersea basin & pedestal. Battersea Cloakroom basin & pedestal	3	YES	1 or 5	Trap concealed
Battersea basin & washstand. Battersea cloakroom basin & washstand	3	YES	1 or 5	BTRAPCP2, UTRAP4 or BTRAPSQCP2
Chicago Console	3	YES	1 or 5	BTRAPCP2, UTRAP4 or BTRAPSQCP2
Cloudsley bowls – All sizes	0	NO	2	BTRAPCP2, UTRAP4 or BTRAPSQCP2
Eclipse bowl small	0	NO	6	BTRAPCP2, UTRAP4 or BTRAPSQCP2
Eclipse bowl large	0	NO	6	BTRAPCP2, UTRAP4 or BTRAPSQCP2
Fitzrovia basin & pedestal	1	YES	1 or 5	Trap concealed
Fitzrovia basin & pedestal	2	YES	4	Trap concealed
Fitzrovia cloakroom basin	2	YES	4	BTRAPCP2, UTRAP4 or BTRAPSQCP2

1. Slotted clicker waste (CLIBASWASSCP)
2. Unslotted clicker waste (CLIBASWASUCP)
3. Spin waste unslotted (UDC3)
4. Standard basin waste (BASINWASTECP2)
5. 1 or 3 hole basin mixer that includes a pop up waste
6. Waste included with basin or bowl

Basin, bowl and washstand waste compatibility	Number of tap holes	Overflow	Suggested waste	Suggested exposed trap
BASIN - BOWL – CONSOLE				
Florence 600 & 800 basins	1	YES	1 or 5	BTRAPCP2, UTRAP4 or BTRAPSQCP2
Geo basins – All sizes	0	YES	6	BTRAPCP2, UTRAP4 or BTRAPSQCP2
Hydrea – Carrara Marble Bowl	0	NO	2 or 3	BTRAPCP2, UTRAP4 or BTRAPSQCP2
Jessica stone console	1 or 3	YES	1 or 5	BTRAPCP2, UTRAP4 or BTRAPSQCP2
Kensington basin & pedestal. Kensington medium basin & pedestal	2	YES	4	Trap concealed
Kensington basin & washstand Kensington cloakroom basin	2	YES	4	BTRAPCP2, UTRAP4 or BTRAPSQCP2
Kensington basin & pedestal. Kensington medium basin & pedestal	3	YES	1 or 5	Trap concealed
Kensington basin & washstand Kensington cloakroom basin	3	YES	1 or 5	BTRAPCP2, UTRAP4 or BTRAPSQCP2
Kyoto – Limestone Resin Bowl	0	NO	2 or 3	BTRAPCP2, UTRAP4 or BTRAPSQCP2
Leros - Crema Marfil Bowl	0	NO	2	BTRAPCP2, UTRAP4 or BTRAPSQCP2
Lonsdale – Rectangle, Square & Double.	0	YES	1*	BTRAPCP2, UTRAP4 or BTRAPSQCP2
Lonsdale – Rectangle, Square & Double.	1	YES	1* or 5	BTRAPCP2, UTRAP4 or BTRAPSQCP2
Lonsdale – Small Rectangle & Small Square	0 or 1	NO	2*	BTRAPCP2, UTRAP4 or BTRAPSQCP2
Lugano Cabinet & Basin	1	YES	1 or 5	Trap concealed
Lugano Cloak Room Cabinet & Basin	1	NO	2 or 3	Trap concealed
La Dolce Vita Cabinet & Basin	0	YES	6	Trap concealed
La Dolce Vita Cabinet & Basin	1	YES	6	Trap concealed

1. Slotted clicker waste (CLIBASWASSCP)
2. Unslotted clicker waste (CLIBASWASUCP)
3. Spin waste unslotted (UDC3)
4. Standard basin waste (BASINWASTECP2)
5. 1 or 3 hole basin mixer that includes a pop up waste
6. Waste included with basin or bowl

*Note – The slotted & unslotted clicker wastes from the Hudson stainless steel range is not compatible with the Maida Vale Cloakroom or the Lonsdale basins.

Basin, bowl and washstand waste compatibility	Number of tap holes	Overflow	Suggested waste	Suggested exposed Trap
BASIN – BOWL - CONSOLE				
Maggiore Cabinet & Basin	1	NO	6	Trap concealed
Maida Vale Counter top basin – All sizes	0	NO	2 or 3	BTRAPCP2, UTRAP4 or BTRAPSQCP2
Maida Vale wall hung basins	0	YES	1	BTRAPCP2, UTRAP4 or BTRAPSQCP2
Maida Vale wall hung basins	1	YES	1 or 5	BTRAPCP2, UTRAP4 or BTRAPSQCP2
Maida Vale wall hung basins	3	YES	1 or 5	BTRAPCP2, UTRAP4 or BTRAPSQCP2
Maida Vale wall hung Cloakroom basin	0	YES	1*	BTRAPCP2, UTRAP4 or BTRAPSQCP2
Maida Vale wall hung Cloakroom basin	1	YES	1* or 5	BTRAPCP2, UTRAP4 or BTRAPSQCP2
Manhattan basin & washstand	3	YES	1 or 5	BTRAPCP2, UTRAP4 or BTRAPSQCP2
Manhattan Cloakroom Basin	2	YES	4	BTRAPCP2, UTRAP4 or BTRAPSQCP2
Manhattan Cloakroom Basin	3	YES	1 or 5	BTRAPCP2, UTRAP4 or BTRAPSQCP2
Nagoya – Limestone Resin Bowl	0	NO	2 or 3	BTRAPCP2, UTRAP4 or BTRAPSQCP2
New Orleans Console	3	YES	1 or 5	BTRAPCP2, UTRAP4 or BTRAPSQCP2
Osaka – Limestone Resin Bowl	0	NO	2 or 3	BTRAPCP2, UTRAP4 or BTRAPSQCP2
Seattle stone console	1 or 3	YES	1 or 5	BTRAPCP2, UTRAP4 or BTRAPSQCP2
Vermont washstands	3	YES	1 or 5	Trap concealed
Versailles small & large console	3	YES	1 or 5	BTRAPCP2, UTRAP4 or BTRAPSQCP2
Versailles small & large basin and pedestal	3	YES	1 or 5	Trap concealed
Whitechapel Basin	0	NO	6	BTRAPCP2, UTRAP4 or BTRAPSQCP2

1. Slotted clicker waste (CLIBASWASSCP)
2. Unslotted clicker waste (CLIBASWASUCP)
3. Spin waste unslotted (UDC3)
4. Standard basin waste (BASINWASTECP2)
5. 1 or 3 hole basin mixer that includes a pop up waste
6. Waste included with basin or bowl

*Note – The slotted & unslotted clicker wastes from the Hudson stainless steel range is not compatible with the Maida Vale Cloakroom or the Lonsdale basins.

Shower Valve Technical Specification chart.

Shower valve technical specification chart	Dual control	Thermostatic	Recommended water pressure	Size of inlet connections	Pipe centres in mm	Rose included	Handset included	Suitable for gravity fed & unvented	Suitable for combi systems
AVEBURY									
Avebury exposed shower	YES	YES	1 - 5 bar	¾" bsp	179mm	YES	X	YES	YES
Avebury grande exposed shower	YES	YES	1 - 5 bar	¾" bsp	179mm	YES	YES	YES	YES
Avebury concealed dual control shower	YES	YES	1 - 5 bar	½" bsp	n/a	YES	X	YES	YES
Avebury concealed shower with accessory kit	YES	YES	1 - 5 bar	¾" bsp	n/a	YES	YES	YES	YES
BALTIMORE									
Baltimore Grande exposed shower	YES	YES	1 - 5 bar	½" bsp	150 +/- 20	YES	YES	YES	YES
Baltimore concealed shower 1 outlet	YES	YES	1 - 5 bar	¾" bsp	n/a	X	X	YES	YES
Baltimore concealed shower 2 outlet	YES	YES	1 - 5 bar	¾" bsp	n/a	X	X	YES	YES
BASTIDE									
Bastide ¾" Grande exposed shower	YES	YES	1 - 5 bar	¾" bsp	177 - 219mm	X	YES	YES	YES
Bastide concealed dual control shower	YES	YES	1 - 5 bar	½" bsp	n/a	X	X	YES	YES
Bastide concealed shower with 1 outlet	YES	YES	1 - 5 bar	¾" bsp	n/a	X	X	YES	YES
Bastide concealed shower with 2 outlets	YES	YES	1 - 5 bar	¾" bsp	n/a	X	X	YES	YES
Bastide concealed shower with 3 outlets	YES	YES	1 - 5 bar	¾" bsp	n/a	X	X	YES	YES
CLASSIC									
Classic exposed shower	YES	YES	1 - 5 bar	½" bsp	133 - 173mm	X	X	YES	YES
Classic Grande exposed shower	YES	YES	1 - 5 bar	½" bsp	133 - 173mm	X	YES	YES	YES
Classic concealed dual control shower	YES	YES	1 - 5 bar	½" bsp	n/a	X	X	YES	YES
CIRQUE									
Cirque concealed shower 1 outlet	YES	YES	1 - 5 bar	¾" bsp	n/a	X	X	YES	YES
Cirque concealed shower 2 outlet	YES	YES	1 - 5 bar	¾" bsp	n/a	X	X	YES	YES
Cirque concealed shower 2 outlet + handset	YES	YES	1 - 5 bar	¾" bsp	n/a	X	YES	YES	YES
EMPIRE									
Empire ½" exposed shower	YES	YES	1 - 5 bar	½" bsp	147 - 190mm	YES	YES	YES	YES
Empire concealed dual control shower	YES	YES	1 - 5 bar	½" bsp	n/a	X	X	YES	YES
Empire concealed shower 1 outlet	YES	YES	1 - 5 bar	¾" bsp	n/a	X	X	YES	YES
Empire concealed shower 2 outlet	YES	YES	1 - 5 bar	¾" bsp	n/a	X	X	YES	YES
Empire concealed shower 3 outlet	YES	YES	1 - 5 bar	¾" bsp	n/a	X	X	YES	YES
HUDSON									
Hudson concealed shower	YES	YES	1 - 5 bar	½" bsp	n/a	X	X	YES	YES
Hudson concealed shower 2 outlets	YES	YES	1 - 5 bar	½" bsp	n/a	X	X	YES	YES
JAZZ									
Jazz concealed dual control shower 1 outlet	YES	YES	1 - 5 bar	½" bsp	n/a	X	X	YES	X
Jazz concealed dual control shower 2 outlet	YES	YES	1 - 5 bar	¾" bsp	n/a	X	X	YES	X
Jazz concealed dual control shower 3 outlet	YES	YES	1 - 5 bar	¾" bsp	n/a	X	X	YES	X

Shower valve technical specification chart	Dual control	Thermostatic	Recommended water pressure	Size of inlet connections	Pipe centres in mm	Rose included	Handset included	Suitable for gravity fed & unvented	Suitable for combi systems
JURA									
Jura concealed dual control shower	YES	YES	1 - 5 bar	½" bsp	n/a	X	X	YES	YES
Jura concealed dual control shower 1 outlet	YES	YES	1 - 5 bar	¾" bsp	n/a	X	X	YES	YES
Jura concealed dual control shower 2 outlet	YES	YES	1 - 5 bar	¾" bsp	n/a	X	X	YES	YES
Jura concealed dual control shower 3 outlet	YES	YES	1 - 5 bar	¾" bsp	n/a	X	X	YES	YES
LIBERTY									
Liberty concealed dual control shower 1 outlet	YES	YES	1 - 5 bar	½" bsp	n/a	X	X	YES	X
Liberty concealed dual control shower 2 outlet	YES	YES	1 - 5 bar	¾" bsp	n/a	X	X	YES	X
Liberty concealed dual control shower 3 outlet	YES	YES	1 - 5 bar	¾" bsp	n/a	X	X	YES	X
LOGIC									
Logic concealed shower	YES	YES	1 - 5 bar	¾" bsp	n/a	X	X	YES	YES
Logic concealed shower with diverter	YES	YES	1 - 5 bar	¾" bsp	n/a	X	X	YES	YES
MADEMOISELLE									
Mademoiselle grande exposed shower	YES	YES	1 - 5 bar	½" bsp	150 +/- 20	YES	YES	YES	YES
Mademoiselle concealed shower 1 outlet	YES	YES	1 - 5 bar	¾" bsp	n/a	X	X	YES	YES
Mademoiselle concealed shower 2 outlet	YES	YES	1 - 5 bar	¾" bsp	n/a	X	X	YES	YES
METRO									
Metro grande exposed shower	YES	YES	3 - 5 bar	½" bsp	150mm	YES	YES	YES	X
Metro concealed dual control shower	YES	YES	3 - 5 bar	½" bsp	n/a	X	YES	YES	X

Concealed Shower Wall Mounted Arms – Critical Measurements.

Shower	Size of rose	Reach of arm from wall to centre of rose	Total distance from wall to furthest point of rose	Size of connection to arm	Drop from centre of arm to bottom of shower head
Avebury	203mm	360 - 390mm	462 – 492mm	½" bsp	147mm
Baltimore	213mm	420mm	526mm	½" bsp	130mm
Bastide	200mm	406mm	506mm	½" bsp	215mm
Classic 4"	104mm	340mm	392mm	½" bsp	266mm
Classic 8"	203mm	340mm	442mm	½" bsp	296mm
Classic 12"	300mm	340mm	490mm	½" bsp	326mm
Empire	200mm	401mm	501mm	½" bsp	147mm
Hudson	200mm	400mm	500mm	½" bsp	120mm
Jazz	240 x 300mm	435mm	585mm	½" bsp	130mm
Jura	200mm	400mm	500mm	½" bsp	102mm
Liberty Round	220mm	450mm	560mm	½" bsp	165mm
Liberty Rectangle	240 x 300mm	450mm	600mm	½" bsp	165mm
Logic	200mm	325mm	425mm	½" bsp	142mm
Logic	152mm SQ	325mm	401mm	½" bsp	142mm
Logic	300mm SQ	325mm	475mm	½" bsp	142mm
Mademoiselle	83mm	75mm	125mm	½" bsp	110mm
Mademoiselle	213mm	420mm	526mm	½" bsp	130mm

Shower Tray Information.

Shower Trays	Shapes Available	Material	Depth of Tray External	Suggested Waste	Max Waste Flow Rate (Approximately)
Low Profile	Square Rectangle Neo-angle	Enamelled Titanium	25 - 35mm	LPTRAYWASTE	36 ltrs/min
Solid Marble	Square Rectangle Neo-angle	Marble	100mm	SWASTERT2CP	18 ltrs/min
St Vincent	Square Rectangle Neo-angle	Scene	25mm	With Tray	25 ltrs/min

*Flow rates are approximate, should you have any concerns please consult your installer for advice.

Wet Room Floor Former Information.

Shower Trays	Shapes Available	Material	Depth of Tray External	Suggested Waste	Max Waste Flow Rate (Approximately)
Wet Dec Roto	Square or Rectangle	Multi Layer GRP	22mm	With the floor former	36 ltrs/min
Wet Dec Linear	Square or Rectangle	Multi Layer GRP	22mm	With the floor former	42 ltrs/min

*The wet deck former provides a predetermined gradient, which when covered with a water proof membrane and then tiled creates a wet room area. Further details are available in the Fired Earth Waterproofing Guide, available on the Fired Earth website.

Heated Towel Rails.

Heated Towel Rails	Suitable for Open or Closed Water Systems	Finish	Dimensions (mm)	Output in BTU's /Watts (Approximately)	Valves (See key on page 67)
Aldrin Bar 400 Water Aldrin Bar 600 Water	Open or Closed	Chrome or Polished Nickel or Antique Gold	h60 w400 d95 h60 w600 d95	72BTU/ 21 Watts 10 BTU/ 30 Watts	2
Aldrin Ladder Rail 40 Water Aldrin Ladder Rail 70 Water Aldrin Ladder Rail 110 Water Aldrin Ladder Rail 140 Water	Open or Closed	Chrome or Polished Nickel or Antique Gold	h40 w120 d94 h70 w500 d94 h110 w500 d94 h140 w500 d94	624BTU /183Watts 471BTU /138 Watts 645 BTU /189Watts 792 BTU /232Watts	2
Aldrin Ladder Rail 40 D/Fuel Aldrin Ladder Rail 70 D/Fuel Aldrin Ladder Rail 110 D/ Fuel Aldrin Ladder Rail 140 D/ Fuel	Open or Closed	Chrome or Polished Nickel or Antique Gold	h40 w120 d94 h70 w500 d94 h110 w500 d85 h140 w500 d85	624BTU /183Watts 471BTU /138 Watts 645 BTU /189Watts 792 BTU /232Watts	2
Apollo Ladder Rail Water Apollo Ladder Rail Water Apollo Ladder Rail Water	Open or Closed	Polished or Brushed Steel	h620 w450 d120 h1060 w450 d120 h1500 w450 d120	761BTU / 223 Watts 1109BTU /325 Watts 1672BTU /490 Watts	3 - 7
Apollo Ladder Rail D/ Fuel Apollo Ladder Rail D/ Fuel Apollo Ladder Rail D/ Fuel	Open or Closed	Polished or Brushed steel	h620 w450 d120 h1060 w450 d120 h1500 w450 d120	761BTU / 223 Watts 1109BTU /325 Watts 1672BTU /490 Watts	3 - 7
Apollo Ladder Rail Electric Apollo Ladder Rail Electric Apollo Ladder Rail Electric	N/A	Polished or Brushed steel	h620 w450 d120 h1060 w450 d120 h1500 w450 d120	75 Watts 100 Watts 150Watts	N/A
Apollo Floor mntd Rail Water Apollo Floor mntd Rail D/ Fuel Apollo Floor mntd Rail Electric	Open or Closed N/A	Polished or Brushed steel	h900 w500 d120	799BTU / 234Watts 799BTU / 234Watts 125 Watts	3 – 7 3 – 7 N/A
Classic Rail Water Classic Rail D/ Fuel Classic Rail Electric	Open or Closed N/A	Chrome	h778 w500 d250	1732BTU /507Watts 1732BTU /507Watts 511BTU /150Watts	1
Eldridge Rail Water 500 Eldridge Rail Water 675 Eldridge Rail Water 735	Closed Closed Closed	Chrome	h938 w500 d250 h938 w675 d250 h900 w735 d250	1337BTU /392Watts 1890BTU / 554Watts 2228BTU / 653Watts	8
Eldridge Rail D/ Fuel 500 Eldridge Rail D/ Fuel 675 Eldridge Rail D/ Fuel 735	Closed Closed Closed	Chrome	h938 w500 d250 h938 w675 d250 h900 w735 d250	1337BTU /392Watts 1890BTU / 554Watts 2228BTU / 653Watts	8
Eldridge Rail Electric 500 Eldridge Rail Electric 675 Eldridge Rail Electric 735	N/A	Chrome	h938 w500 d250 h938 w675 d250 h900 w735 d250	200Watts 400Watts 400Watts	N/A
Eldridge Wall Rail Water 500 Eldridge Wall Rail Water 675 Eldridge Wall Rail Water 735	Closed Closed Closed	Chrome	h740 w500 d250 h740 w675 d250 h740 w735 d250	1337BTU /392Watts 1890BTU / 554Watts 2228BTU / 653Watts	8
Eldridge Wall Rail D/ Fuel 500 Eldridge Wall Rail D/ Fuel 675 Eldridge Wall Rail D/ Fuel 735	Closed Closed Closed	Chrome	h740 w500 d250 h740 w675 d250 h740 w735 d250	1337BTU /392Watts 1890BTU / 554Watts 2228BTU / 653Watts	8
Eldridge Wall Rail Electric 500 Eldridge Wall Rail Electric 675 Eldridge Wall Rail Electric 735	N/A	Chrome	h740 w500 d250 h740 w675 d250 h740 w735 d250	200Watts 400Watts 400Watts	N/A

Heated Towel Rails	Suitable for Open or Closed Water Systems	Finish	Dimensions (mm)	Output in BTU's /Watts (Approximately)	Valves included
Eldridge Tall Rail Water Eldridge Tall Rail D/Fuel Eldridge Tall Rail Electric	Closed Closed N/A	Chrome	h150 w450 d120	2518BTU / 738Watts 2518BTU / 738Watts 400 Watts	8 8 N/A
Flow Rail Water Flow Rail D/ Fuel Flow Electric	Open or Closed N/A	Chrome	h955 w687 d161	859BTU /251Watts 859BTU /251Watts 511BTU /150Watts	1 1 N/A
Flow Wall Rail Water Flow Wall Rail D/ Fuel Flow Wall Electric	Open or Closed N/A	Chrome	h955 w687 d161	859BTU /251Watts 859BTU /251Watts 511BTU /150Watts	1 1 N/A
Holmwood Rail Water 675 Holmwood Rail Water 825	Open or Closed	Chrome	h938 w675 d138 h938 w825 d138	989BTU/ 290Watts 1269BTU/ 372Watts	8 8
Holmwood Rail D/ Fuel 675 Holmwood Rail D/ Fuel 825	Open or Closed	Chrome	h938 w675 d138 h938 w825 d138	989BTU/ 290Watts 1269BTU/ 372Watts	8 8
Holmwood Rail Electric 675 Holmwood Rail Electric 825	N/A	Chrome	h938 w675 d138 h938 w825 d138	125 Watts 150 Watts	N/A
Holmwood Wall Water 675 Holmwood Wall Water 825	Open or Closed	Chrome	h740 w675 d138 h740 w825 d138	989BTU/ 290Watts 1269BTU/ 372Watts	8 8
Holmwood Wall D/ Fuel 675 Holmwood Wall D/Fuel 825	Open or Closed	Chrome	h740 w675 d138 h740 w825 d138	989BTU/ 290Watts 1269BTU/ 372Watts	8 8
Holmwood Wall Electric 675 Holmwood Wall Electric 825	N/A	Chrome	h740 w675 d138 h740 w825 d138	125 Watts 150 Watts	N/A
Kennedy heated robe hook	N/A	Polished or Brushed steel	h 1720	29 Watts	N/A
Savoy 720 Water Savoy 1000 Water Savoy 1435 Water	Open or Closed	Chrome or Polished Nickel or Antique Gold	h720 w500 d100 h1000 w500 d100 h1435 w500 d100	1711BTU /343Watts 1953BTU /572Watts 2793BTU /818Watts	3 - 7
Savoy 720 D/ Fuel Savoy 1000 D/Fuel Savoy 1435 D/Fuel	Open or Closed	Chrome or Polished Nickel or Antique Gold	h720 w500 d100 h1000 w500 d100 h1435 w500 d100	1711BTU /343Watts 1953BTU /572Watts 2793BTU /818Watts	3 - 7
Savoy 720 Electric Savoy 1000 Electric Savoy 1435 Electric	N/A N/A N/A	Chrome or Polished Nickel or Antique Gold	h720 w500 d100 h1000 w500 d100 h1435 w500 d100	682BTU /200Watts 1023BTU /300Watts 1364BTU /400Watts	N/A

Heated Towel Rails	Suitable for Open or Closed Water Systems	Finish	Dimensions (mm)	Output in BTU's /Watts (Approximately)	Valves included
Stainless Steel HTR Water Stainless Steel HTR1 Water Stainless Steel HTR2 Water Stainless Steel HTR3 Water Stainless Steel HTR4 Water Stainless Steel HTR5 Water Stainless Steel HTR6 Water	Open or Closed	Stainless Steel	h800 w300 d100 h800 w500 d100 h800 w600 d100 h1200 w500 d100 h1200 w600 d100 h1600 w500 d100 h1600 w600 d100	1000BTU /293Watts 1324BTU /388Watts 1526BTU /447Watts 1833BTU /537Watts 2109BTU /618Watts 2443BTU /716Watts 2812BTU /824Watts	3 - 7
Stainless Steel HTR D /Fuel Stainless Steel HTR1 D /Fuel Stainless Steel HTR2 D /Fuel Stainless Steel HTR3 D /Fuel Stainless Steel HTR4 D /Fuel Stainless Steel HTR5 D /Fuel Stainless Steel HTR6 D /Fuel	Open or Closed	Stainless Steel	h800 w300 d100 h800 w500 d100 h800 w600 d100 h1200 w500 d100 h1200 w600 d100 h1600 w500 d100 h1600 w600 d100	1000BTU /293Watts 1324BTU /388Watts 1526BTU /447Watts 1833BTU /537Watts 2109BTU /618Watts 2443BTU /716Watts 2812BTU /824Watts	3 - 7
Stainless Steel HTR Electric Stainless Steel HTR1 Electric Stainless Steel HTR2 Electric Stainless Steel HTR3 Electric Stainless Steel HTR4 Electric Stainless Steel HTR5 Electric Stainless Steel HTR6 Electric	N/A	Stainless Steel	h800 w300 d100 h800 w500 d100 h800 w600 d100 h1200 w500 d100 h1200 w600 d100 h1600 w500 d100 h1600 w600 d100	511BTU /150Watts 682BTU /200Watts 1023BTU /300Watts 1023BTU /300Watts 1023BTU /300Watts 1364BTU /400Watts 1364BTU /400Watts	N/A
Versailles Cloakroom Water Versailles Cloakroom D/ Fuel Versailles Cloakroom Electric	Closed Closed N/A	Chrome/Steel Chrome/Steel Chrome/Steel	h952 w540 d235	1144BTU /335Watts 1144BTU /335Watts 1023BTU /300Watts	1 1 N/A
Versailles Water Versailles D/ Fuel Versailles Electric	Closed Closed N/A	Chrome/Steel Chrome/Steel Chrome/Steel	h952 w682 d235	2196BTU /643Watts 2196BTU /643Watts 1023BTU /300Watts	1 1 N/A

Heat Outputs:

The heated towel rails within the Fired Earth range are designed as towel warmers only. The effect of placing towels over the rail will impact on the ability of the rail to heat the room. Consideration should be given to a further source of heat for the room as the rail alone may not meet the full heating requirement for the room. All heat outputs given are dependent on correct installation and heating water temperatures. Figures quoted are given as a guide only.

Valves

- 1 – Included with towel rail.
- 2 – Integral valves.
- 3 – Angled non-thermostatic. (HTRVALVEANG)
- 4 – Angled thermostatic. (HTRVALVEANGTHERM)
- 5 – Straight non-thermostatic.(HTRVALVESTR)
- 6 - Straight thermostatic. (HTRVALVESTRTHERM)
- 7 – Floor connection valves for dual fuel. (HTRDFVALVEFLR)
- 8 – Traditional valves.(HTRVALVETRAD)